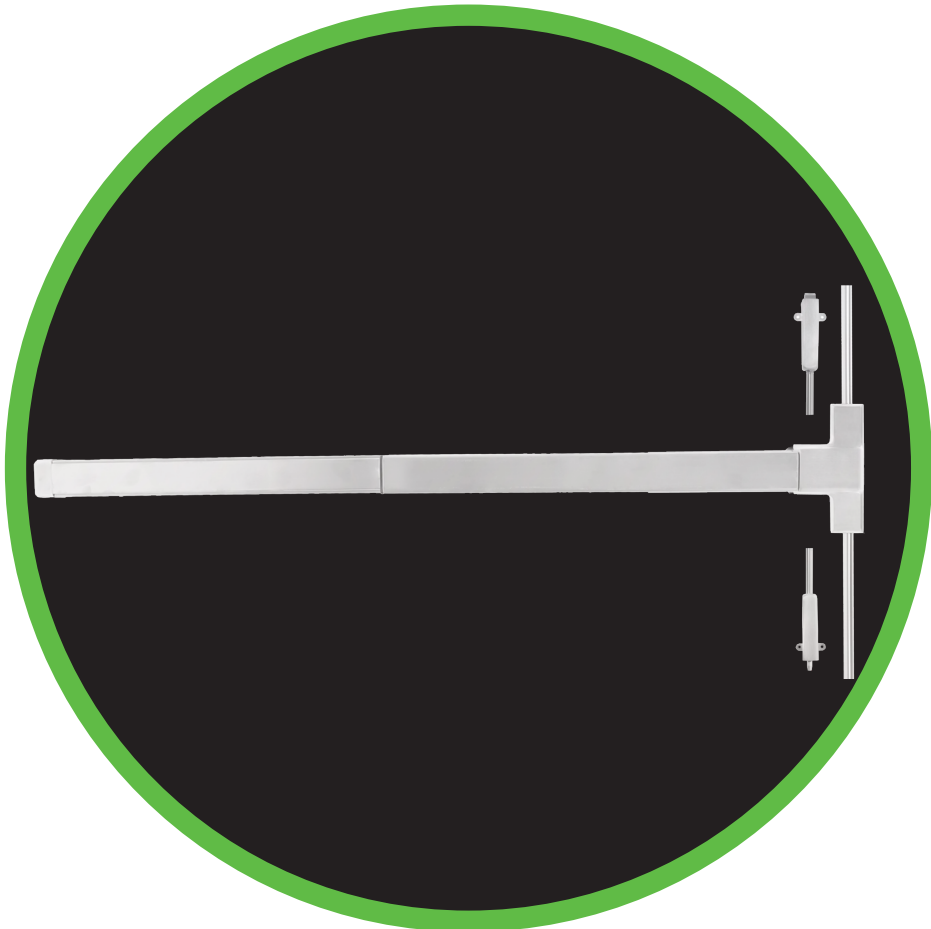
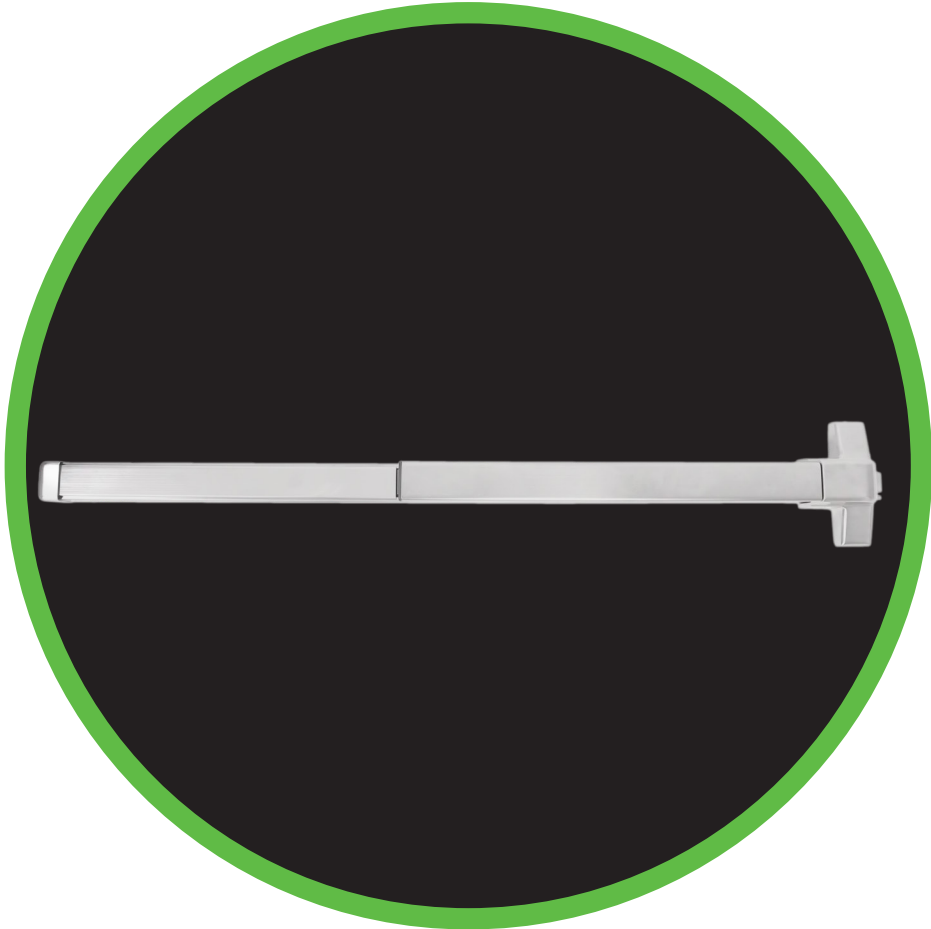


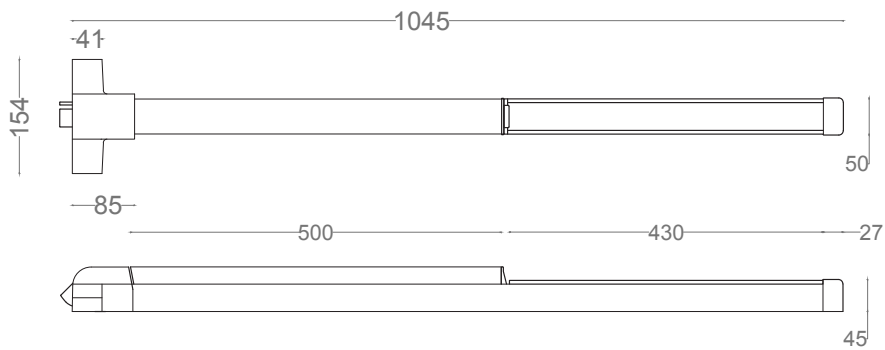
**FIRE EXIT HARDWARE
SERIES 800 & 900**



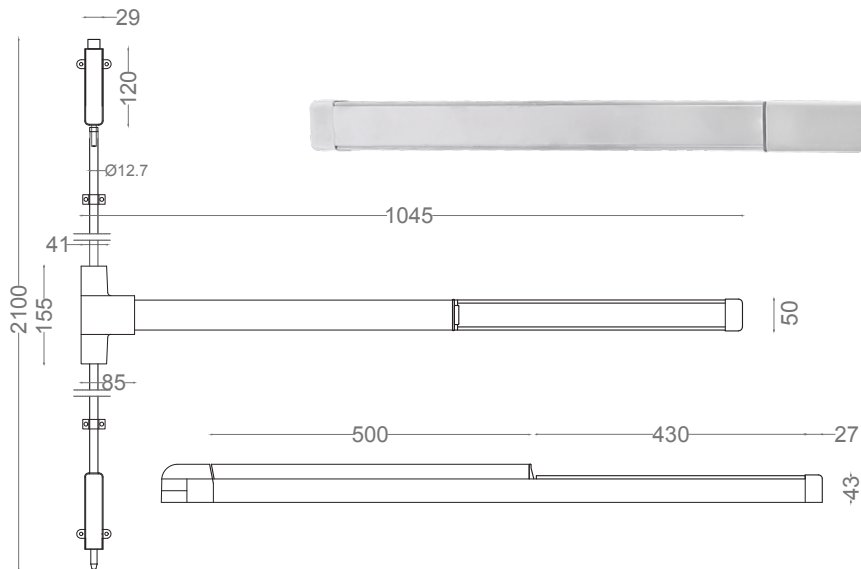
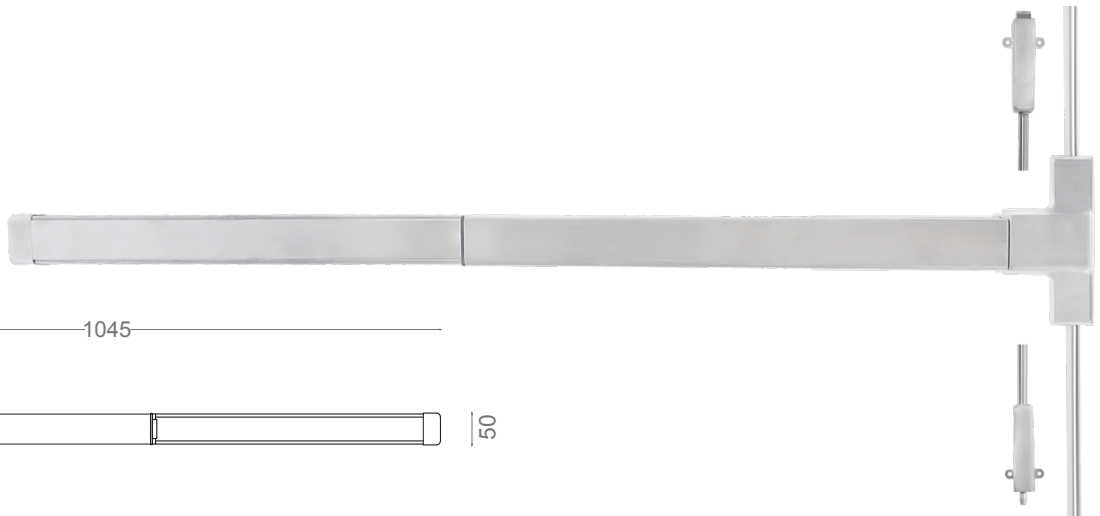
**ITEM CODE: 800, 900, 800VR & 900VR SERIES
FIRE-EXIT HARDWARE WITH HALF OR FULL TOUCH BAR****Features:**

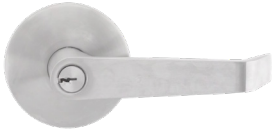
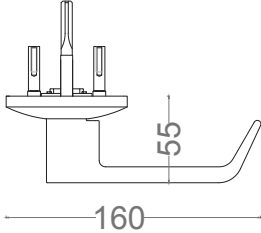

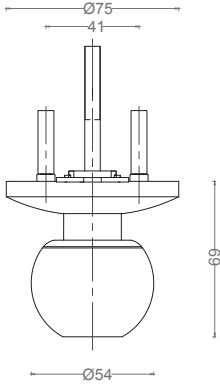

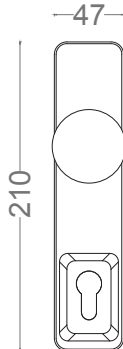

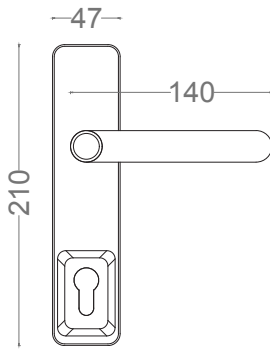
- Area of application: For single and double wooden and metal door.
- Standard material:
 - o 800 and 900 (Latch Touch Bar): End cover, body cover, lock body, push bar, centre cover, striking plate and latch bolt are stainless steel EN 1.4301 (type 304).
 - o 800 Silver and 900 Silver (Latch Touch Bar): End cover, body cover, lock body, push bar, centre cover, striking plate and latch bolt are steel (Q235-A)
 - o 800VR and 900VR (Bolt Touch Bar): End cover, body cover, lock body, push bar, centre cover, top and bottom covers are stainless steel EN 1.4301 (type 304).
 - o 800VR Silver and 900VR Silver (Bolt Touch Bar): End cover, body cover, lock body, push bar, centre cover, top and bottom covers are (Q235-A).
- One-locking point for 800/900 and two-point locking for 800VR/900VR.
- Anti-thrust latch function for 800/900.
- Single operation. Fully reversible.
- Supplied with:
 - o 800 and 900 series: 1 pc complete set latch touch bar, 1 pc keep (strike) for single leaf with full set of screws.
 - o 800VR and 900VR series: 1 pc complete set bolt touch bar, 1 pc top strike, 1 pc bottom strike, 1 set top latch, 1 set bottom latch, 2 sets clamps, 2 pc connect bar (for maximum door height 2133 mm).
- OAD (outside access device): as shown on catalogue.
- Strike plate (SPD003-A) for double leaf to be ordered separately.
- 900 and 900VR series touch bar length 845 mm.
- UL listed and examined to UL 10C. UL unique identification number: GXHX.R25171.
- Examined in accordance with UL 305 ANSI A156.3-2008 requirements for Grade 1.
- BHMA Certified.
- Standard finish: satin stainless steel (SSS). Other finishes are available upon request.

FIRE-EXIT HARDWARE 800



FIRE-EXIT HARDWARE 800VR



DT004		DT006	
			
DT008		DT010	
			
DT009		STRIKE PLATE FOR DOUBLE DOORS, SPD003-A	
