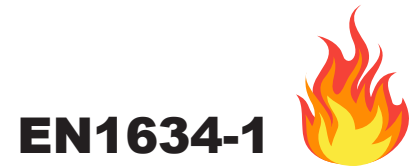


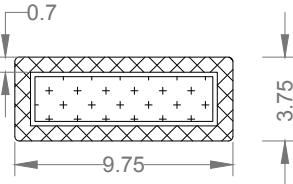
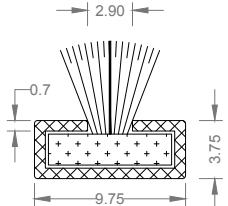
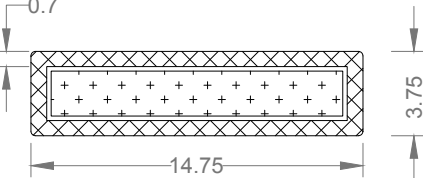
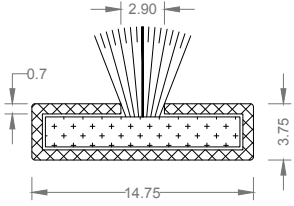
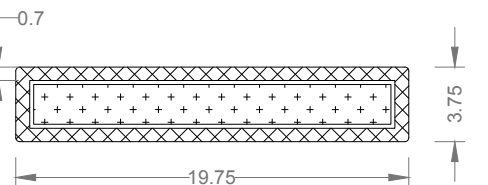
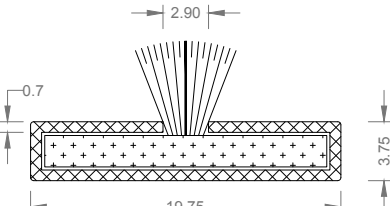
SEALS

ITEM CODE: DCIS series

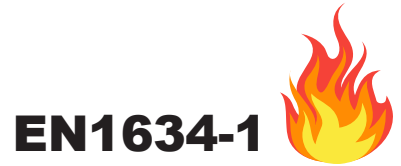
Features:



- Intumescent seals
- Area of application: For wooden or metal doors
- Material: Intumescent fire seal in a rigid PVC casing for use on fire resisting doors and doors frames.
- Available: DCIS1040B or DCIS1040W (10x4 mm), DCIS1540B or DCIS1540W (15x4 mm) and DCIS2040B or DCIS2040W (20x4 mm).
- Available with brush (smoke resistance): DCIS1040BB or DCIS1040BW (10x4 mm), DCIS1540BB or DCIS1540BW (15x4 mm), DCIS2040BB or DCIS2040BW (20x4 mm).
- Location: Mortise into the doorframe and around stiles and head.
- Fixing: Self-adhesive.
- Approval: BS EN 1634-1: 2014
- Standard finish: Brown (B) and White (W). Other finishes are available upon request.

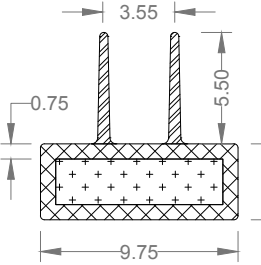
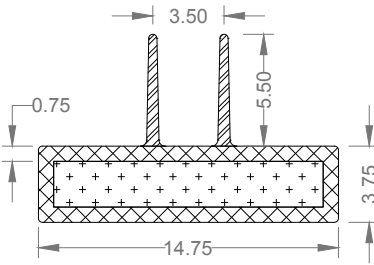
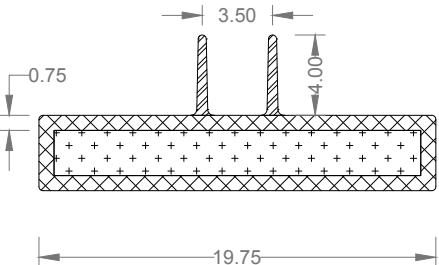
DCIS1040B OR DCIS1040W	DCIS1040BB OR DCIS1040BW
	
DCIS1540B OR DCIS1540W	DCIS1540BB OR DCIS1540BW
	
DCIS2040B OR DCIS2040W	DCIS2040BB OR DCIS2040BW
	

ITEM CODE: DCIS WITH FLIPPERS SERIES



Features:

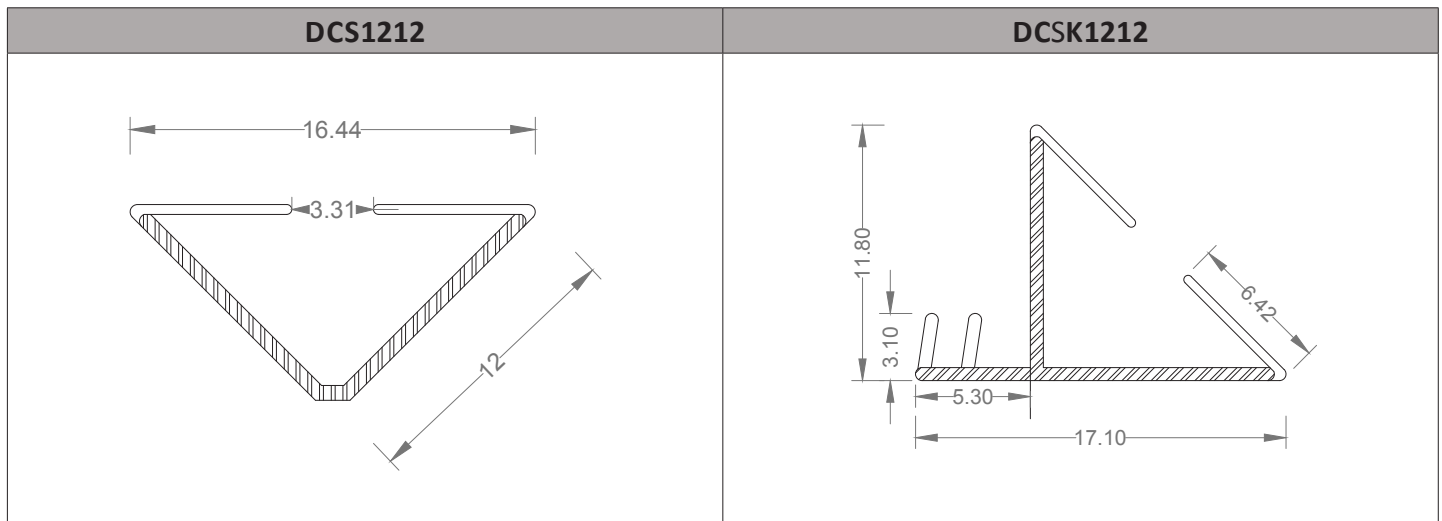
- Intumescent seals with double flippers
- Area of application: For wooden doors
- Material: Intumescent fire seal in a rigid PVC casing for use on fire, acoustic and smoke resistance doors and doors frames.
- Available: DCIS1040FB or DCIS1040FW (10x4 mm), DCIS1540FB or DCIS1540FW (15x4 mm) and DCIS2040FB or DCIS2040FW (20x4 mm).
- Location: Mortise into the doorframe and around stiles and head.
- Fixing: Self-adhesive.
- Approval: BS EN 1634-1: 2014
- Standard finish: Brown (B) and White (W). Other finishes are available upon request.


DCIS1040FB OR DCIS1040FW	DCIS1540BB OR DCIS1540BW
	
DCIS2040FB OR DCIS2040FW	
	

ITEM CODE: DCS & DCSK

Features:

- Acoustic and smoke seals
- Area of application: For wooden or metal doors
- Material: Co-extruded PVC acoustic and smoke seals.
- Available: DCS1212 (2100 x 12 x 12 mm)
- Available with Push-in locking fit: DCSK1212 (2100 X 12 X 12 mm).
- Fixing: Self-adhesive (DCS1212) and Push-in (DCSK1212).
- Standard finish: Dark Brown (DB), White (W), Black (B), Light Brown (LB) and Clear (C).
- Other finishes are available upon request.



**ITEM CODE: DS88 SERIES
FIRE/SMOKE RESISTANT SILICONE GASKETS****EN1634-1**
EN1634-3 

Features:

- Area of application: For wooden or metal doors and windows.
- Material: Self Adhesive surface mounted Silicone fire/smoke gaskets.
- Standard finish: Black. Other finishes are available upon request.
- Location: head, strike and hinges jambs.
- Excellent elasticity and compression, tear and wear, aging resistant.
- Tested successfully to EN 1634-1 (4 hours) and EN 1634-3.
- Available in 50 meters per roll

