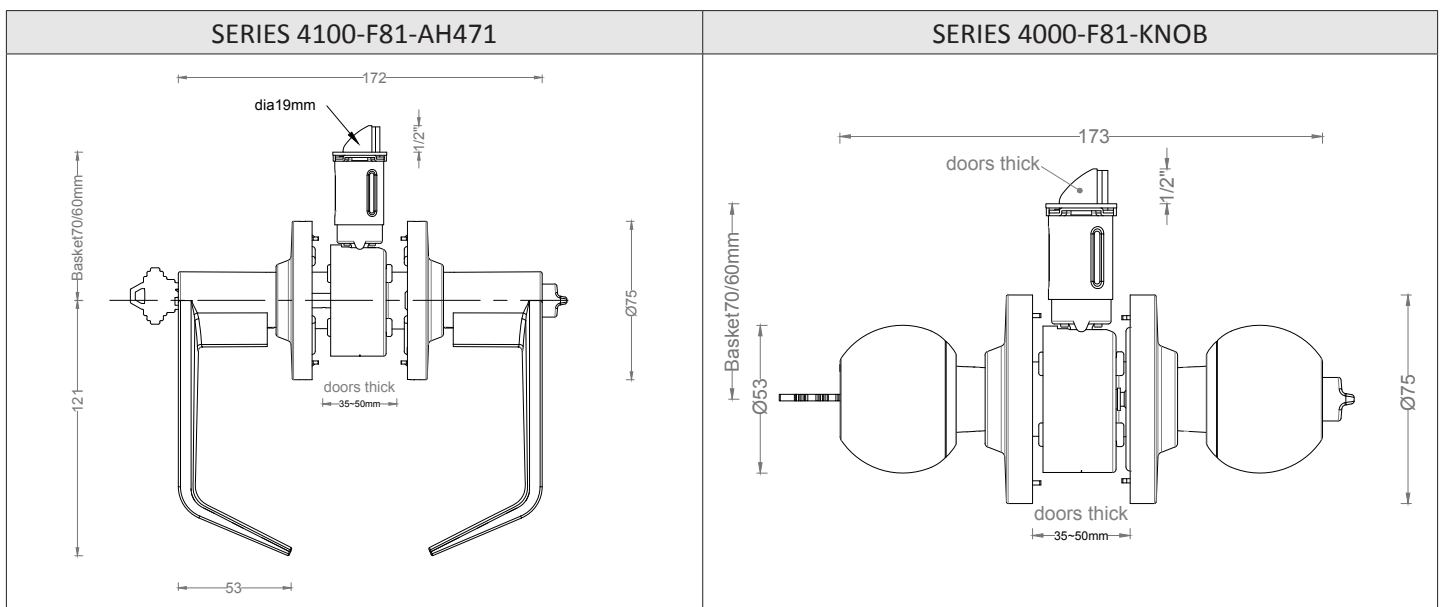


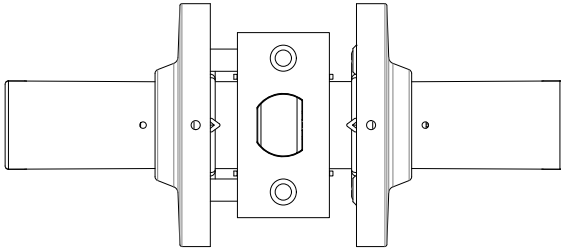
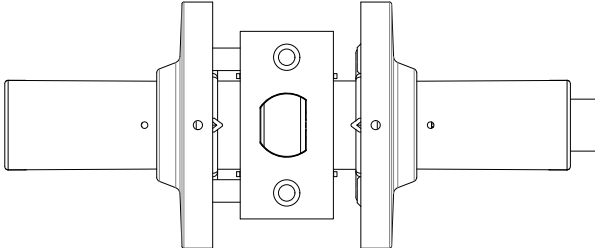
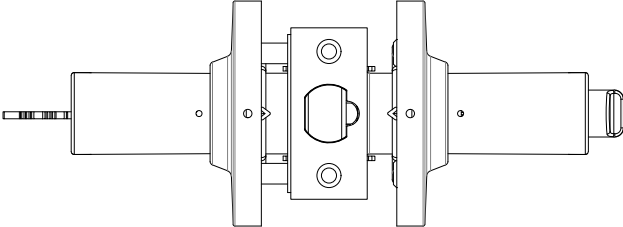
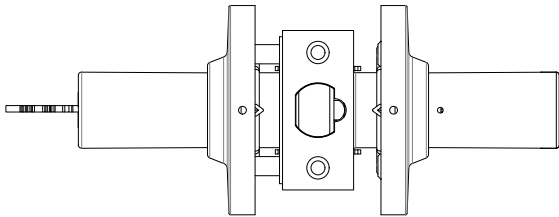
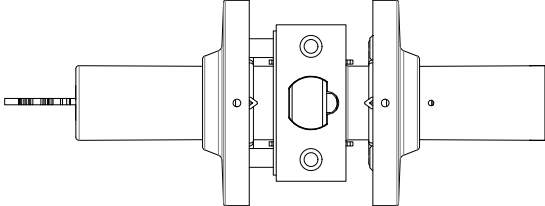
ITEM CODE: SERIES 4100 & 4000



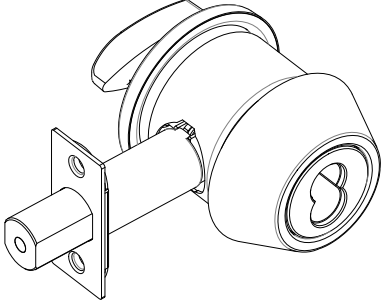
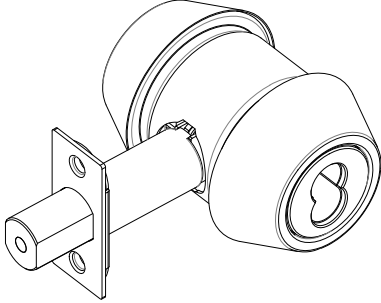
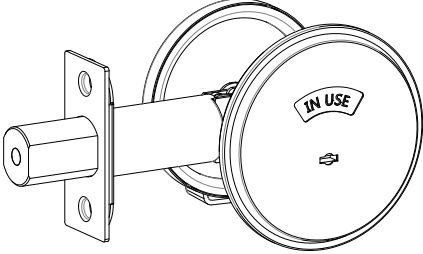
Features:

- Heavy duty cylindrical bored locks.
- UL listed. UL10C 3 hours fire rated.
- Compliant to meet ANSI A156.2 grade 2.
- ADA compliant (American with Disabilities Act), ANSI A117 (Accessible and Usable Buildings and Facilities).
- Non-handed for simple installation.
- Series 4100: Standard accepts SFIC core. Optional key-in-lever.
- Series 4000: Standard key-in-lever.
- Designed for doors thickness 44 mm standard.
- Standard backset: 70 mm only.
- Latchbolt 12.7 mm throw in stainless steel.
- Strike: ANSI strike.
- Available in knob or lever handle.
- Series 4100 material base: lever is zinc, rose is SUS304.
- Series 4000 material base: SUS304
- Cylinders and keys: Small format Interchangeable core (SFIC) cylinders, 6 or 7 pins SFIC cylinders with 2 operate nickel plated standard keys + 1 nickel plated control key.
- SFIC core on selected models, several ANSI functions are available
- Construction keys, master key and keyways are available.
- Standard finish: 626 (satin chromium plated) standard, Other finishes are available upon request.



| OUTSIDE/INSIDE - PASSAGE (ANSI F75)  | OUTSIDE/INSIDE - PRIVACY (ANSI F76)  |
|--|--|
|   |    |
| <ul style="list-style-type: none"> <li>• Both lever always unlocked</li> </ul>   | <ul style="list-style-type: none"> <li>• Push-button locking</li> <li>• Can be opened from outside with small narrow tool</li> <li>• Turning the inside lever releases button</li> </ul>                 |
| OUTSIDE/INSIDE - ENTRY (F81)   | OUTSIDE/INSIDE - CLASSROOM (F84)   |
|    |   |
| <ul style="list-style-type: none"> <li>• Outside lever locked and unlocked by key or by turn-button on inside lever</li> <li>• Inside lever always unlocked</li> <li>• SFIC &amp; Key-in cylinder are available for 4100 series</li> </ul> | <ul style="list-style-type: none"> <li>• Outside lever locked and unlocked by key</li> <li>• Inside lever always unlocked</li> <li>• SFIC &amp; Key-in cylinder are available for 4100 series</li> </ul> |
| OUTSIDE/INSIDE - STOREROOM (F86)   |  |
|   |  |
| <ul style="list-style-type: none"> <li>• Outside lever fixed</li> <li>• Entrance by key only</li> <li>• Inside lever always unlocked</li> <li>• SFIC &amp; Key-in cylinder are available for 4100 series</li> </ul>                        |  |

# CYLINDRICAL BORED LOCKS

| DSSB   | DDSB   |
|--|--|
|   |  |
| DOIB   |  |
|  |  |

| AVAILABLE TRIM  |   |   |
|---|---|---|
| AH471   | AH472   | AH473   |
|  |  |  |
| AH474   | AH475   | AH476   |
|  |  |  |