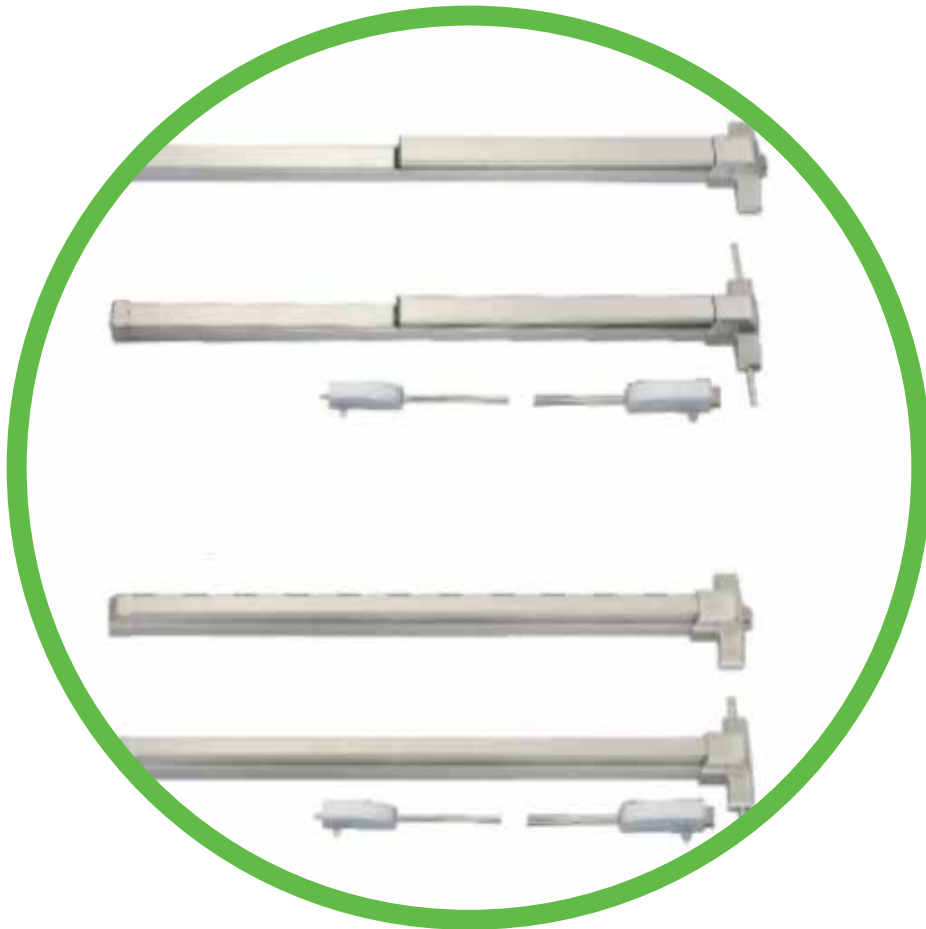


***ANSI/UL ARCHITECTURAL  
HARDWARE***

---



**FIRE EXIT HARDWARE SERIES 800 & 900**

**ITEM CODE: 800 & 800VR**

**FIRE-EXIT HARDWARE with half touch bar**

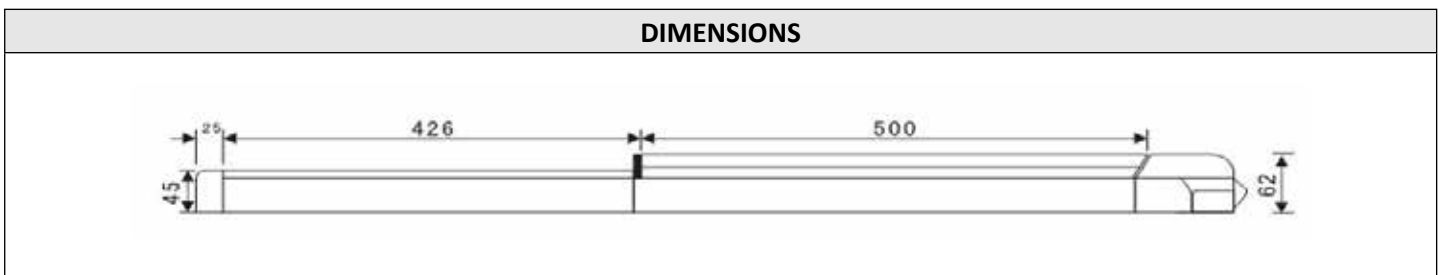


**GRADE 1**

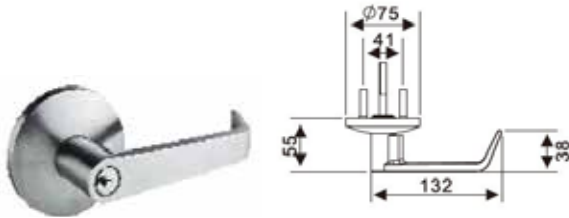
**FEATURES:**

- Area of application: For single and double exit doors, active and inactive leaf.
- Material:
  - 800 Range (Panic Latch Touch Bar): End cover, sliding cover, lock body cover, case cover, touch bar, striking plate and latch bolt are Stainless steel EN 1.4301(type 304).
  - 800VR Range (Panic Bolt Touch Bar): End cover, sliding cover, lock body cover, case cover, touch bar, clamps, connect bar and top and bottom latch covers are Stainless steel EN 1.4301(type 304).
- One-locking point for 800 Range and two-point locking for 800VR Range.
- Anti-thrust latch function for 800 Range
- Single operation
- Fully reversible
- Supplied with:
  - 800 Range: 1 pc complete set panic latch touch bar, 1 pc keep (strike) for single leaf with full set of wood screws.
  - 800VR Range: 1 pc complete set panic bolt touch bar, 1 pc top strike, 1 pc bottom strike, 1 set top latch, 1 set bottom latch, 2 sets clamps, 2 pc connect bar (for door height 2133 mm).
- OAD (outside access device): Certified to be used with DT004, DT006, DT008 and DT010
- Strike for double doors to be supplied separately.
- UL listed and examined to UL 10C. UL unique identification number: GXHX.R25171
- Examined in accordance with UL 305 ANSI A156.3-2008 requirements for Grade 1
- Standard finish: satin stainless steel (SSS).
- Other finishes are available upon request.

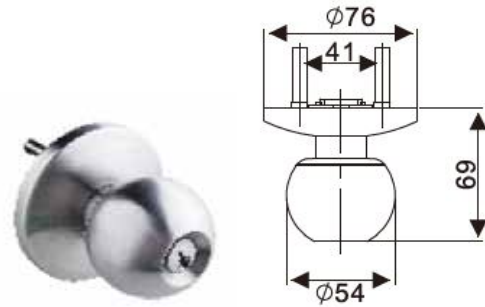
FIRE-EXIT HARDWARE 800	FIRE-EXIT HARDWARE 800VR



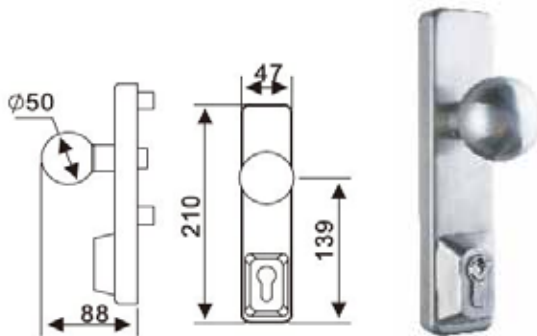
**DT004**



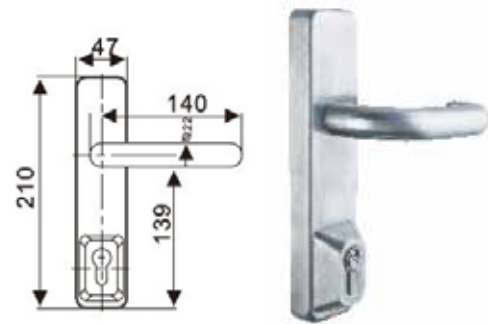
**DT006**



**DT008**



**DT010**



**ITEM CODE: 900 & 900VR  
FIRE-EXIT HARDWARE WITH FULL TOUCH BAR**

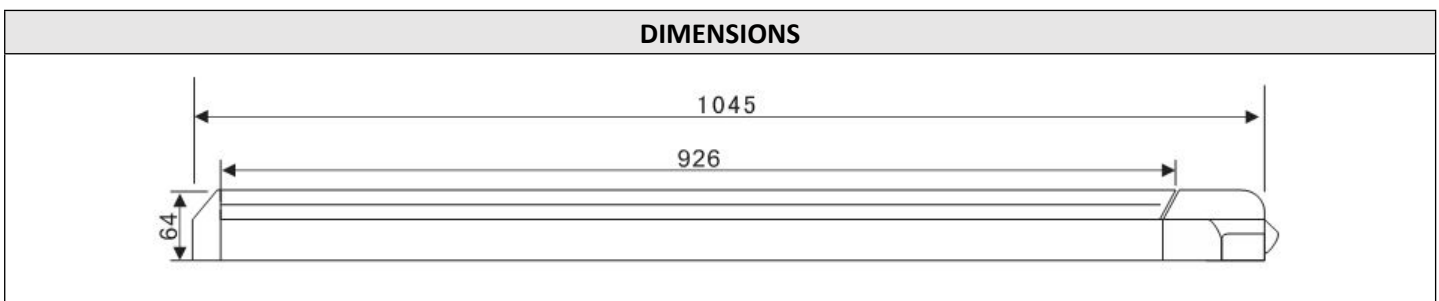


**GRADE 1**

**FEATURES:**

- Area of application: For single and double exit doors, active and inactive leaf.
- Material:
  - 900 Range (Panic Latch Touch Bar): End cover, sliding cover, lock body cover, case cover, touch bar, striking plate and latch bolt are Stainless steel EN 1.4301(type 304).
  - 900VR Range (Panic Bolt Touch Bar): End cover, sliding cover, lock body cover, case cover, touch bar, clamps, connect bar and top and bottom latch covers are Stainless steel EN 1.4301(type 304).
- One-locking point for 900 Range and two-point locking for 900VR Range.
- Anti-thrust latch function for 900 Range
- Single operation
- Fully reversible
- Supplied with:
  - 900 Range: 1 pc complete set panic latch touch bar, 1 pc keep (strike) for single leaf with full set of wood screws.
  - 900VR Range: 1 pc complete set panic bolt touch bar, 1 pc top strike, 1 pc bottom strike, 1 set top latch, 1 set bottom latch, 2 sets clamps, 2 pc connect bar (for door height 2133 mm).
- OAD (outside access device): Certified to be used with DT004, DT006, DT008 and DT010
- Strike for double doors to be supplied separately.
- UL listed and examined to UL 10C. UL unique identification number: GXHX.R25171
- Examined in accordance with UL 305 ANSI A156.3-2008 requirements for Grade 1
- Standard finish: satin stainless steel (SSS).
- Other finishes are available upon request.

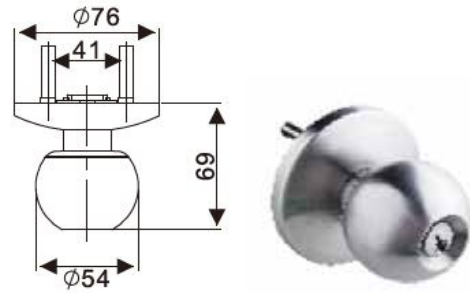
FIRE-EXIT HARDWARE 900	FIRE-EXIT HARDWARE 900VR



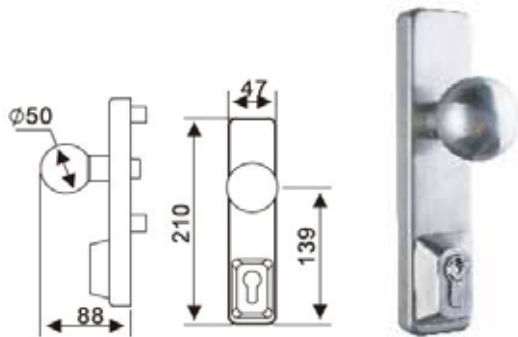
**DT004**



**DT006**



**DT008**



**DT010**

