

***ANSI/UL ARCHITECTURAL  
HARDWARE***

---



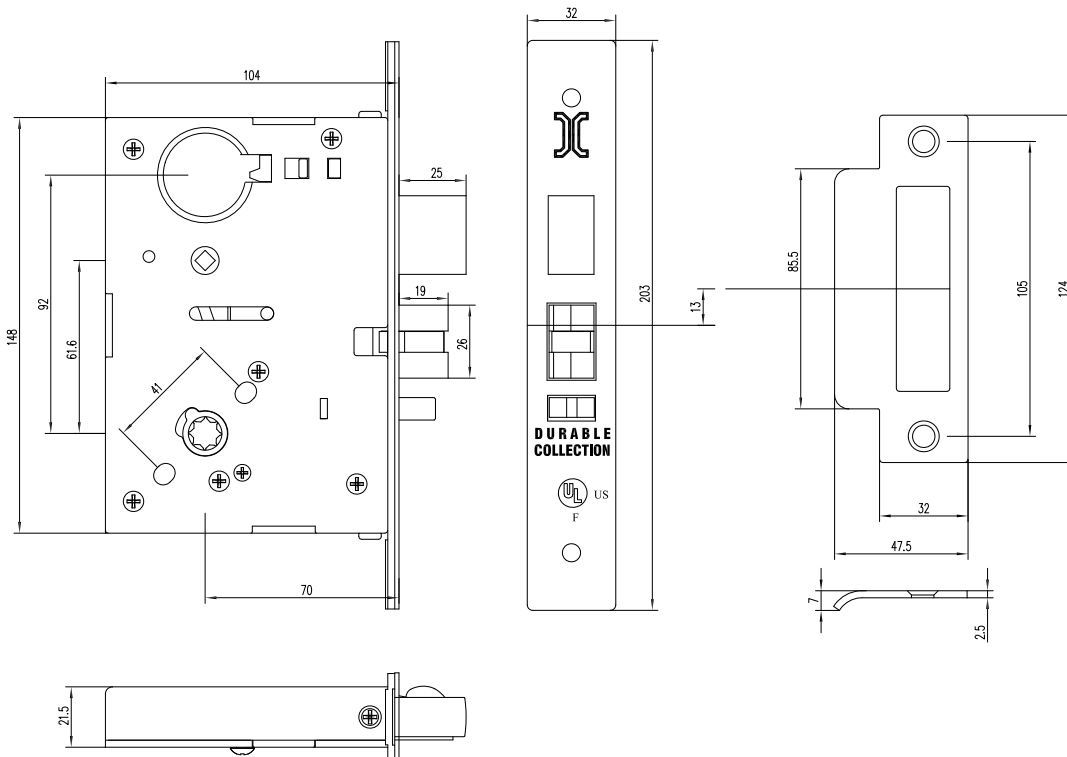
**MORTISE LOCKS SERIES 1000L**

ITEM CODE: DML1000L RANGE



Features:

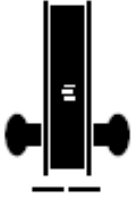





- Heavy duty mortise locks, UL listed. UL10C 3 hours fire rated.
- Tested to meet ANSI A156.13 grade 1 (1,000,000 cycles), series 1000.
- ADA compliant (American with Disabilities Act), ANSI A117 (Accessible and Usable Buildings and Facilities).
- BHMA CERTIFIED.
- Lockcase: Heavy duty steel with zinc dichromate finish for corrosion resistance.
- Designed for doors thickness 44 mm standard. Specify if doors thickness is more than 44 mm.
- Field reversible without lock disassembly.
- Backset: 70 mm, Center to center: 92 mm, Armored front size: 203 x 32 x 1.5 mm, Case size: 104 x 148 x 21.5 mm.
- Deadbolt: 25 mm in stainless steel. Latchbolt 19 mm throw in stainless steel with anti-friction tongue.
- Strike: ANSI curved lip strike 32 x 124 mm with dust box standard.
- Tested with levers in hollow or solid stainless steel.
- Cylinders and keys: Mortise or interchangeable core (IC) cylinders. 5 or 6 pins mortise cylinders with 3 brass standard keys (computer key is available). 6 or 7 pins IC cylinders with 2 operate nickel plated standard keys + 1 nickel plated control key.
- Several cams are available. Construction keys and master key system are available. Several keyways are available.
- Standard finish: 630 (satin stainless steel). Other finishes are available upon request.






SFIC HOUSING – CICH – 6 or 6/7 PINS SFIC		SFIC CORE – SFIC – 6 & 7 PINS		MORTISE CYLINDER – DMC	
CYLINDER GUARD – DCG – AVAILABLE 6, 11 & 17 MM PROJECTION					
KEYS DMC	WAVE SPRING			KEYS SFIC	
SECURITY CYLINDER GUARD – DCG8.5 or DCG13.5				CYLINDER GUARD – DCG8	
CAMS FOR SFIC HOUSING					
1	2	3	4	5	6


CAMS FOR DMC HOUSING			
<b>1</b>	<b>2</b>	<b>4</b>	<b>MB</b>
ONE WAY CYLINDER – DMCTL (LEFT) or DMCTR (RIGHT)			
SQUARE CYLINDER GUARD – DCGSQ	SPACER SFIC 6 PINS – FOR CICH – FOR SFIC 7 PINS TO SFIC 6 PINS	CICH34.9 T, RIM CYLINDER WITH SFIC HOUSING	
DCG			

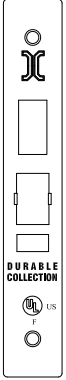
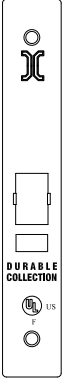
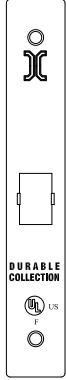
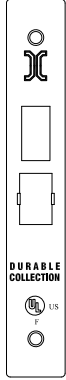
# MORTISE LOCKS SERIES 1000L

<b>OUTSIDE / INSIDE PASSAGE LOCK (ANSI F01)-DML1001L</b>	<b>OUTSIDE / INSIDE BATH/BEDROOM PRIVACY LOCK (ANSI F22) - DML1022L</b>	<b>OUTSIDE / INSIDE OFFICE &amp; INNER ENTRY LOCK (ANSI F04)- DML1004L</b>
		
<p>Latchbolt retracted by lever either side Inside lever always free for egress.</p>	<p>Latchbolt retracted by lever either side unless outside is locked by thumbturn inside. To unlock from outside rotate coin turn from outside. Deadbolt thrown or retracted by key outside or thumbturn inside. Inside lever always free for egress.</p>	<p>Latchbolt retracted by lever either side unless outside is locked by key outside or thumbturn inside. Auxiliary latch deadlocks latchbolt when door is closed. When outside locked, latchbolt retracted by key or inside lever. Outside lever locked until unlocked by thumbturn or key. Inside lever always free for egress.</p>
<b>OUTSIDE / INSIDE CLASSROOM LOCK (ANSI F05)-DML1005L</b>	<b>OUTSIDE / INSIDE STOREROOM LOCK (ANSI F07)-DML1007L</b>	<b>OUTSIDE / INSIDE APARTMENT ENTRANCE LOCK (ANSI F09)-DML1009L</b>
		
<p>Latchbolt retracted by lever either side unless outside lever is locked by key. Auxiliary latch deadlocks latchbolt when door is closed. Unlocked from outside by key. Inside lever always free for egress.</p>	<p>Latchbolt retracted by lever inside or key outside. Outside lever always inoperative. Auxiliary latch deadlocks latchbolt when door is closed. Inside lever always free for egress.</p>	<p>Latchbolt retracted by lever either side unless outside lever is locked by key from inside. When locked, latchbolt retracted by outside key or inside lever. Auxiliary latch deadlocks latchbolt when door is closed. Inside lever always free for egress.</p>




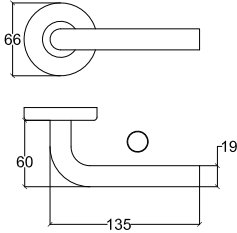
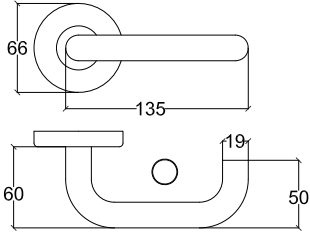
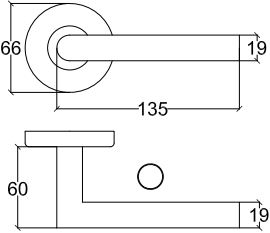
# MORTISE LOCKS SERIES 1000L

OUTSIDE / INSIDE DORMITORY LOCK (ANSI F13)-DML1013L	OUTSIDE / INSIDE STORE DOOR LOCK (ANSI F14)-DML1014L	OUTSIDE / INSIDE PRIVACY, BEDROOM, BATH LOCK (ANSI F19)- DML1019L
		
<p>Latchbolt retracted by lever either side. Deadbolt projected by key from outside or thumbturn from inside. Operating inside lever retracts both bolts and unlocks outside. Inside lever always free for egress.</p>	<p>Latchbolt retracted by lever either side. Deadbolt projected by either side.</p>	<p>Latchbolt retracted by lever either side. Deadbolt projected by thumbturn from inside. Throwing deadbolt locks outside lever. Inside lever retracts both deadbolt and latchbolt and unlocks outside lever. To unlock from outside rotate coin turn from outside. Inside lever always free for egress.</p>

OUTSIDE / INSIDE APARTMENT CORRIDOR DOOR (ANSI F20)- DML1020L	
	<p>Latchbolt retracted by lever either side unless outside is locked by 20° rotation of thumbturn. Deadbolt projects through 90° thumbturn rotation. When locked, lever inside or key outside retracts deadbolt and latch bolt simultaneously. Outside lever locked until thumbturn is restored to vertical position. Throwing deadbolt automatically locks outside lever. Auxiliary latch deadlocks latchbolt when door is closed. Inside lever always free for egress.</p>

FOREND			
DML1020L	DML1004L, DML1005L, DML1007L, DML1009L	DML1001L, DML1022L	DML1013L, DML1014L, DML1019L
			

LEVER DESIGN - GRADE 1		
AH100 ANSI-SOLID	AH101 ANSI-SOLID	AH102 ANSI-SOLID
		
		
AH103 ANSI-HOLLOW	AH104 ANSI-HOLLOW	AH105 ANSI-SOLID
		
		
AH106 ANSI-SOLID	AH107 ANSI-SOLID	AH108 ANSI-SOLID
		
		

LEVER DESIGN - GRADE 1		
AH109 ANSI-HOLLOW	AH110 ANSI-HOLLOW	AH111 ANSI-HOLLOW
		
		
AH112 ANSI-HOLLOW	AH113 ANSI-SOLID	
