

***CE/EN ARCHITECTURAL
IRONMONGERY***



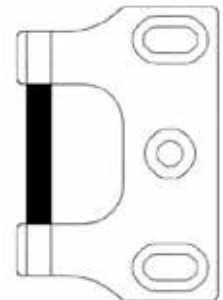
PANIC DEVICES

ITEM CODE: D301 & D306
PANIC EXIT DEVICE with half touch bar



Features:

- Area of application: For single and double exit doors, active and inactive leaf
- Material:
 - o D301 (Panic Latch Touch Bar): End cover, sliding cover, lock body cover, case cover, touch bar, striking plate and latch bolt are stainless steel EN 1.4301 (type 304)
 - o D306 (Panic Bolt Touch Bar): End cover, sliding cover, lock body cover, case cover, touch bar, clamps, connect bar and top and bottom latch covers are stainless steel EN 1.4301 (type 304)
- One-locking point for D301 and two-point locking for D306
- Anti-thrust latch function for D301
- Single operation. Fully reversible. Available in SUS316
- Supplied with:
 - o D301: 1 pc complete set panic latch touch bar, 1 pc keep (strike) for single leaf with full set of wood screws.
 - o D306: 1 pc complete set panic bolt touch bar, 1 pc top strike, 1 pc bottom strike, 1 set top latch, 1 set bottom latch, 2 sets clamps, 2 pc connect bar (for door height 2133 mm).
- Strike plate (SPD003-A) for double leaf to be ordered separately.
- OAD (outside access device): Certified to be used with DT004, DT006, DT008 and DT010
- Tested and certified to EN 1125:2008 and BS EN 1634-1: 2014
- CE marked.
- DoP (Declaration of Performance) available on website or on request.
- Standard finish: Satin stainless steel (SSS). Other finishes are available upon request.
- Classification:



ITEM CODE	CATEGORY OF USE	NUMBER OF TEST CYCLES	TEST DOOR MASS	FIRE RESISTANCE	SAFETY	CORROSION RESISTANCE	SECURITY	PROJECTION OF DEVICE	TYPE OF DEVICE	FIELD OF APPLICATION
D301	3	7	6	B ¹	1	4	2	2	B	A
D306	3	7	6	B ¹	1	4	2	2	B	C

PANIC LATCH TOUCH BAR D301



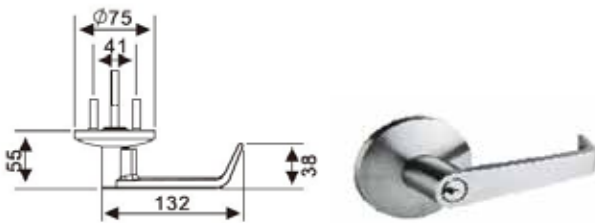
PANIC BOLT TOUCH BAR D306



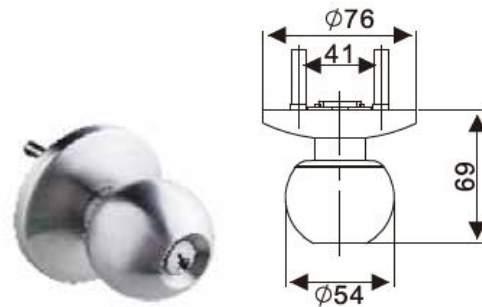
DIMENSIONS



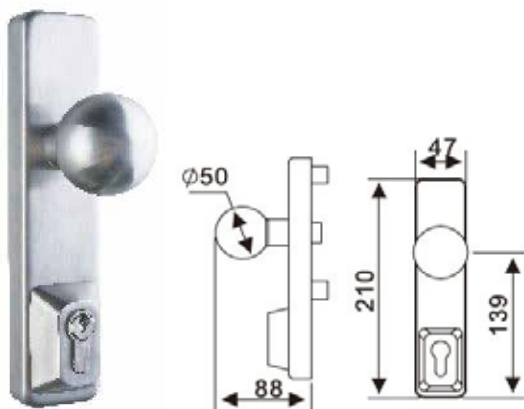
DT004



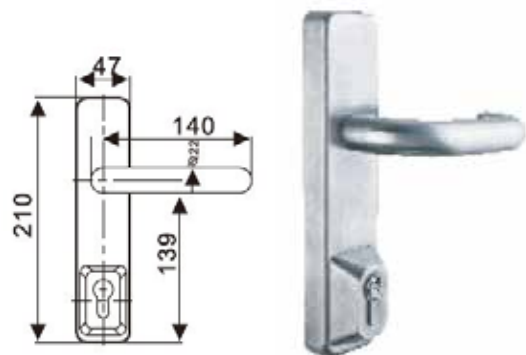
DT006



DT008



DT010

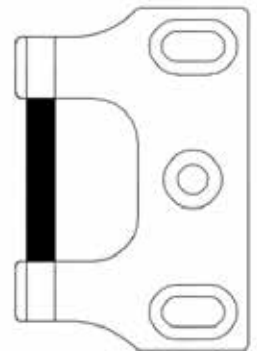


**ITEM CODE: D302 & D307
PANIC EXIT DEVICE WITH FULL TOUCH BAR**



Features:

- Area of application: For single and double exit doors, active and inactive leaf
- Material:
 - o D302 (Panic Latch Touch Bar): End cover, sliding cover, lock body cover, case cover, touch bar, striking plate and latch bolt are Stainless steel EN 1.4301(type 304)
 - o D307 (Panic Bolt Touch Bar): End cover, sliding cover, lock body cover, case cover, touch bar, clamps, connect bar and top and bottom latch covers are Stainless steel EN 1.4301(type 304)
- Features:
 - One-locking point for D302 and two-point locking for D307
 - Anti-thrust latch function for D302
 - Single operation. Fully reversible. Handing Reversible (right or left). Available in SUS316.
 - Supplied with:
 - D302: 1 pc complete set panic latch touch bar, 1 pc keep (strike) for single leaf with full set of wood screws.
 - D307: 1 pc complete set panic bolt touch bar, 1 pc top strike, 1 pc bottom strike, 1 set top latch, 1 set bottom latch, 2 sets clamps, 2 pc connect bar (for door height 2133 mm).
 - OAD (outside access device): Certified to be used with DT004, DT006, DT008 and DT010.
 - Strike plate (SPD003-A) for double leaf to be ordered separately.
 - Tested and certified to EN 1125:2008 and BS EN 1634-1: 2014
 - CE marked.
 - DoP (Declaration of Performance) available on website or on request.
 - Standard finish: satin stainless steel (SSS). Other available are available upon request.
 - Panic Exit Device Classification:



ITEM CODE	CATEGORY OF USE	NUMBER OF TEST CYCLES	TEST DOOR MASS	FIRE RESISTANCE	SAFETY	CORROSION RESISTANCE	SECURITY	PROJECTION OF DEVICE	TYPE OF DEVICE	FIELD OF APPLICATION
D302	3	7	6	B1	1	4	2	2	B	A
D307	3	7	6	B1	1	4	2	2	B	C

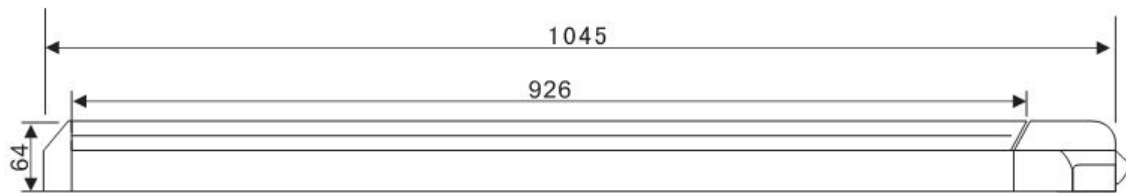
PANIC LATCH TOUCH BAR D302



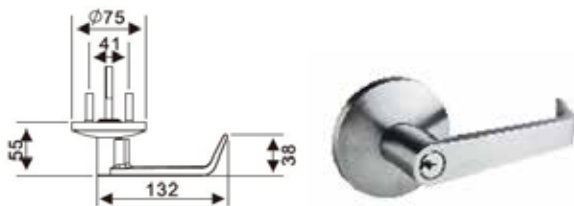
PANIC BOLT TOUCH BAR D307



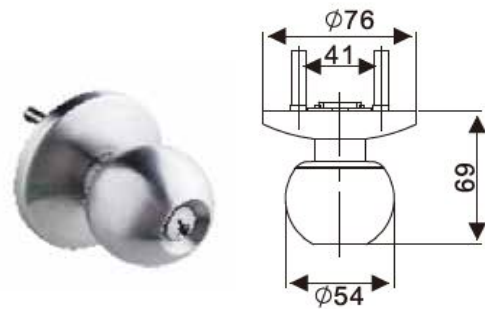
DIMENSIONS



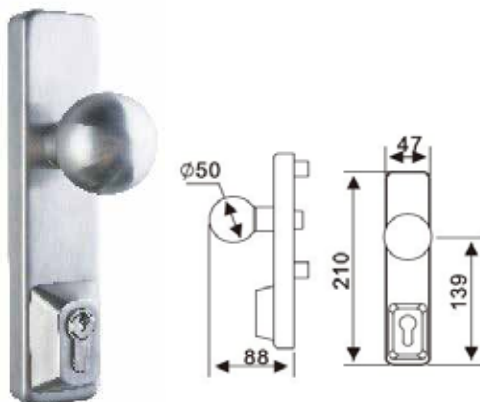
DT004



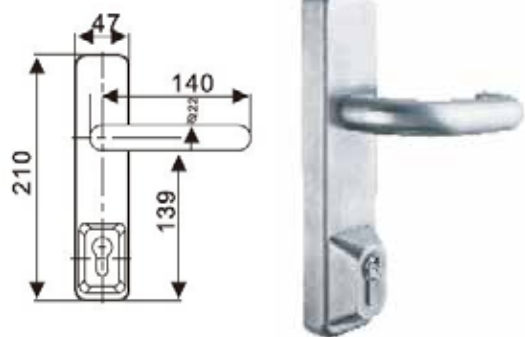
DT006



DT008



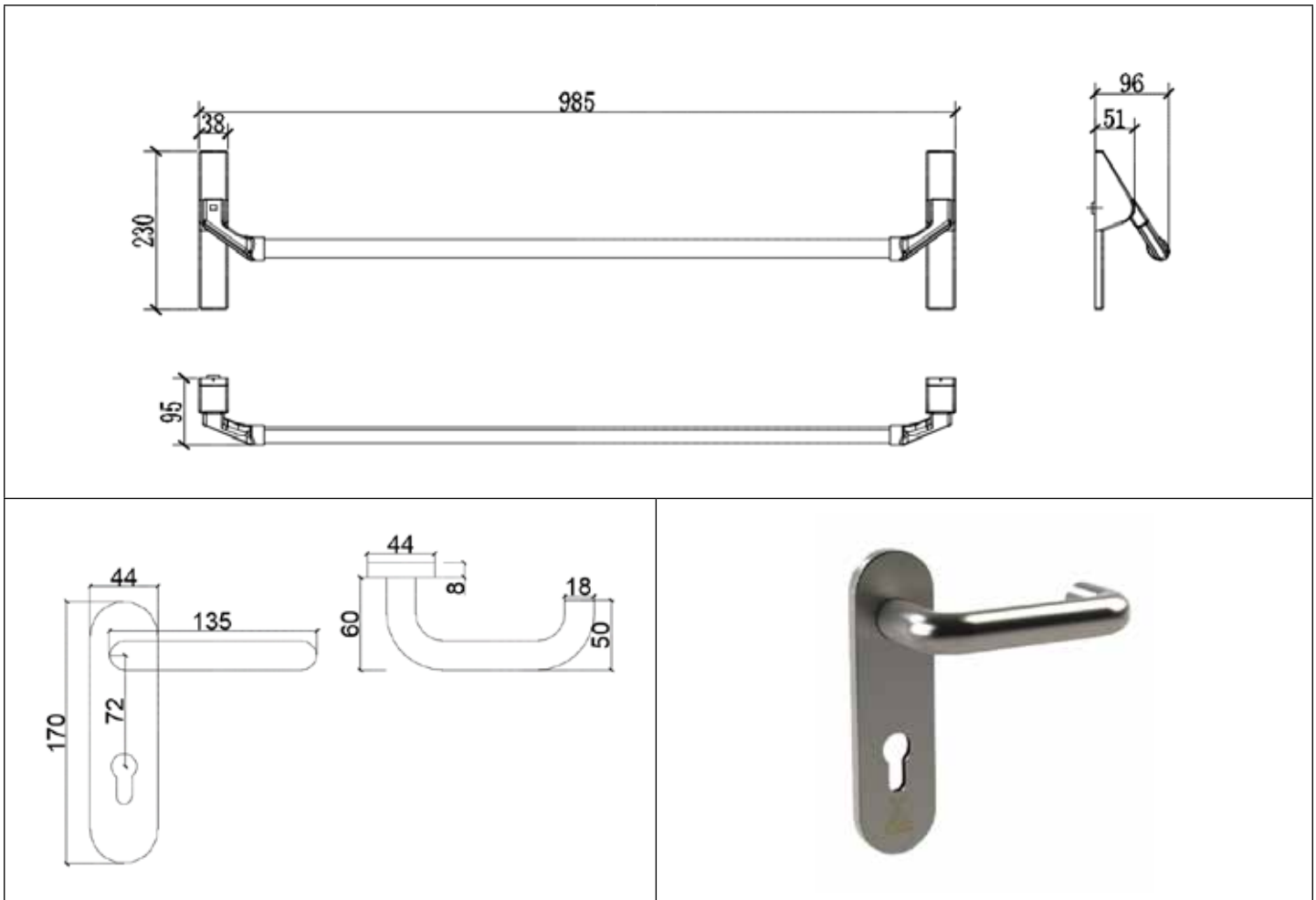
DT010



**ITEM CODE: D301S-HB SERIES
HEAVY DUTY STAINLESS STEEL PANIC device**

Features:

- Area of application: For single wood or metal doors.
- Material: Stainless steel EN 1.4301 (type SUS304), optional in EN 1.4401 (type SUS316).
- Suitable for mortise classroom lock (L-5572 CR or L-8072 CR), sold separately.
- Outside trim DT112 (specify DIN left or DIN right) in SSS finish, sold separately.
- Single cylinder (DCP M-X), sold separately.
- Optional stainless steel horizontal bar, length 1050 mm, sold separately.
- Standard finish: Satin Stainless Steel. Other finishes are available upon request.

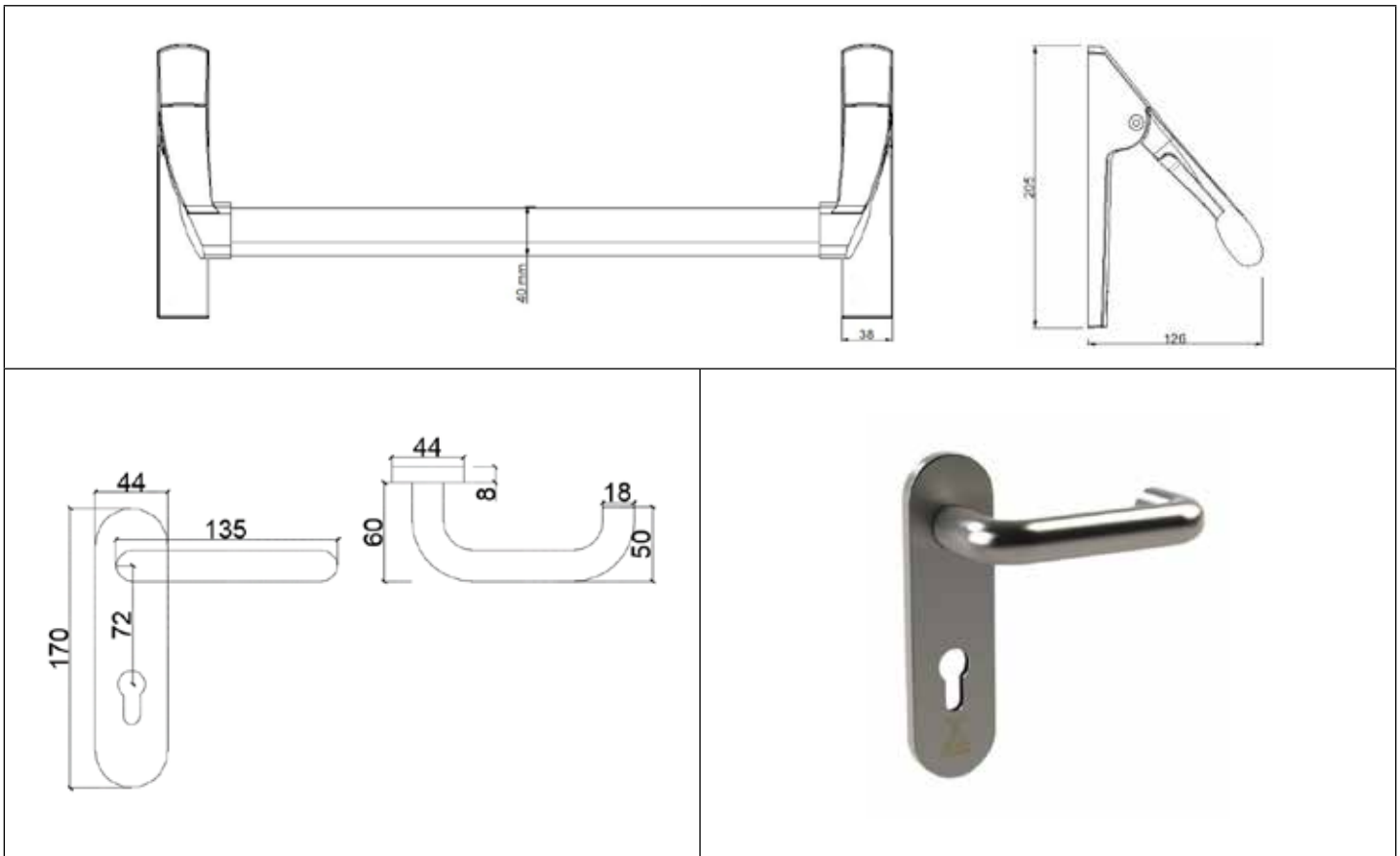


ITEM CODE: PHBE
HEAVY DUTY PANIC BOLT PUSH BAR

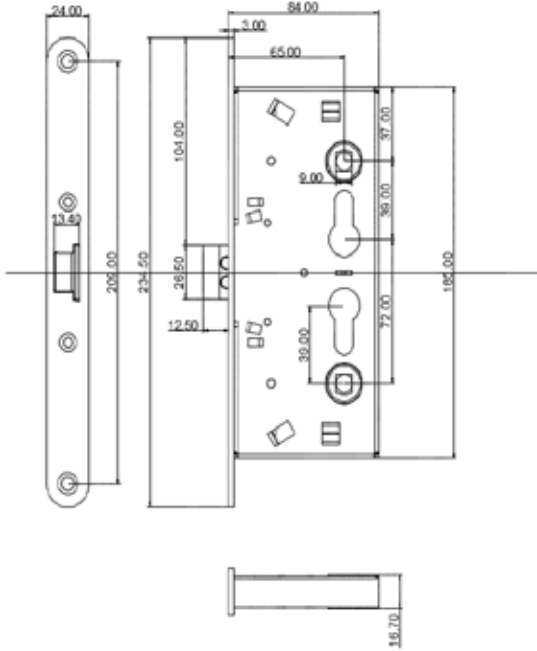
Features:

- Area of application: For single or double wooden and metal doors.
- Material: Aluminium.
- Used with mortise locks: P-6572A for active leaf and P-65XX for inactive leaf.
- P-65XX will be supplied as complete set including concealed vertical rod and accessories.
- PHBE is Non-handed.
- Outside trim DT112 (specify DIN left or DIN right) in SSS finish, sold separately.
- Single cylinder (DCP M-X), sold separately.
- Tested successfully to EN 1634-1, 3 hours.
- Standard finish: Mortise locks in Satin Stainless Steel. PHBE in Black/aluminium finish. Other finishes are available upon request.

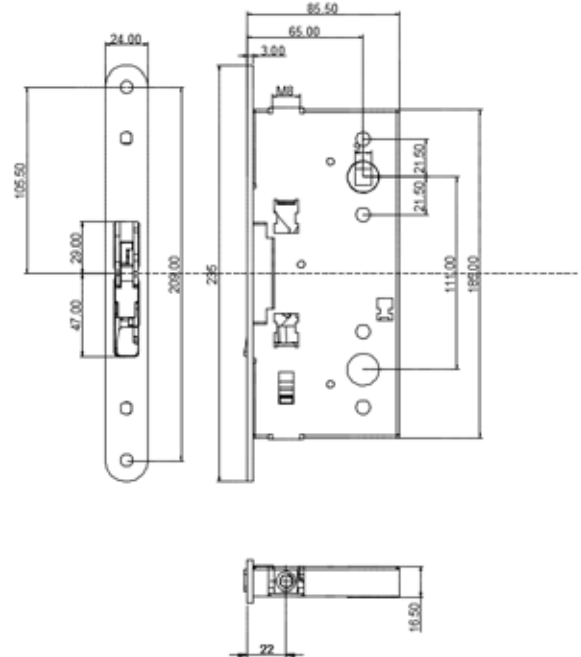
EN1634-1



P-6272A



P-65XX



VR SETS for P-65XX

