

ANSI/UL ARCHITECTURAL HARDWARE



ELECTRIFIED LOCKS - EMLF SERIES

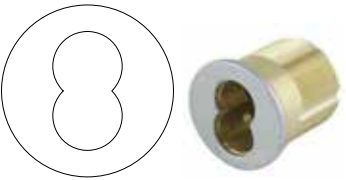


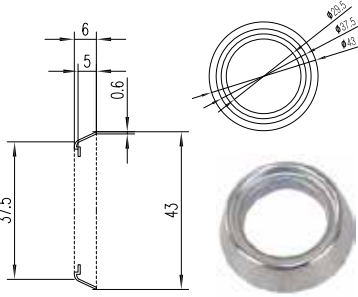
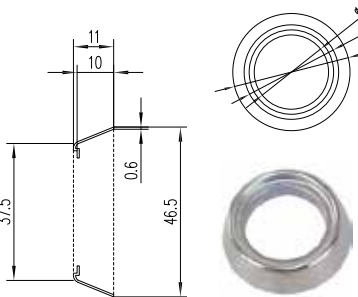
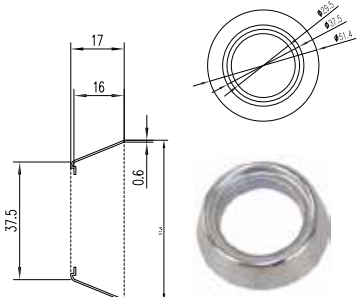
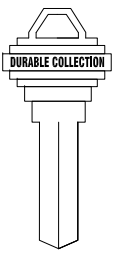
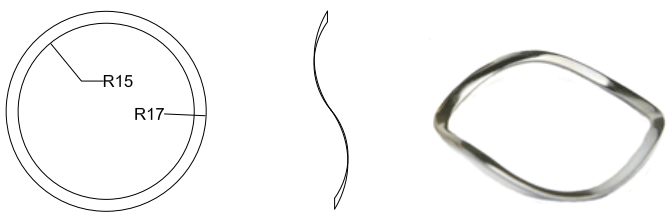
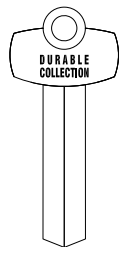
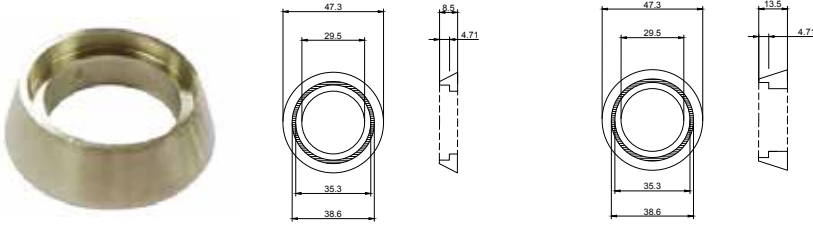
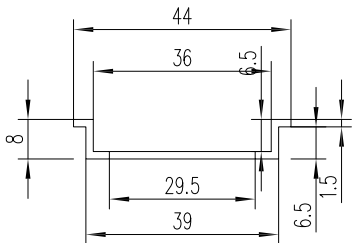
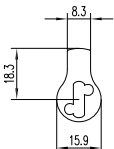
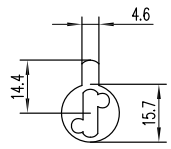
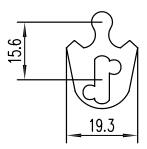
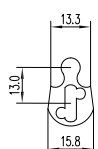
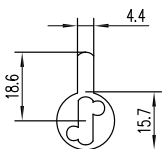
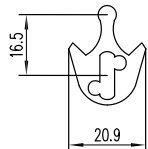
ITEM CODE: EMLF SERIES

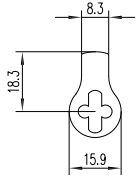
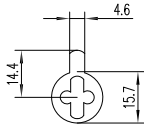
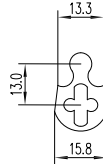
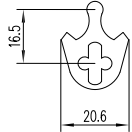
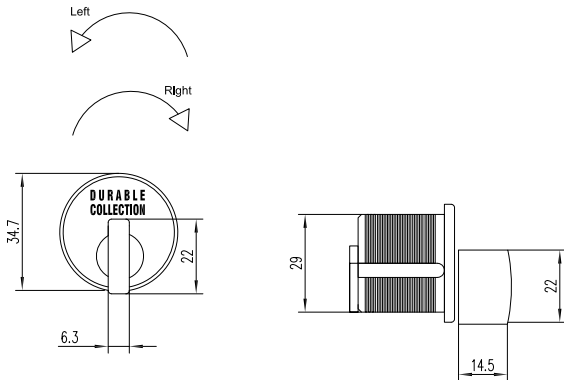
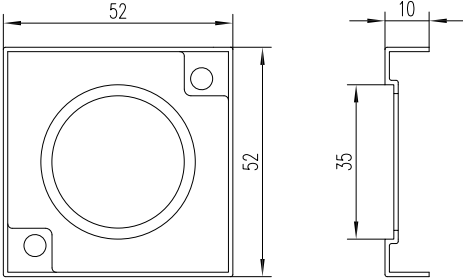
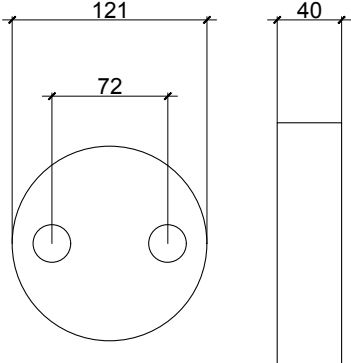
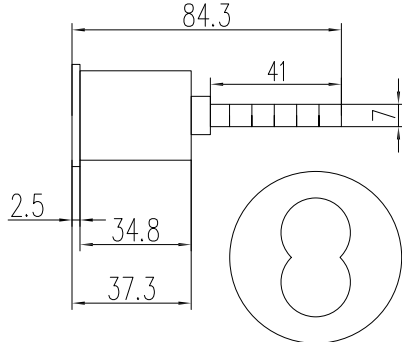
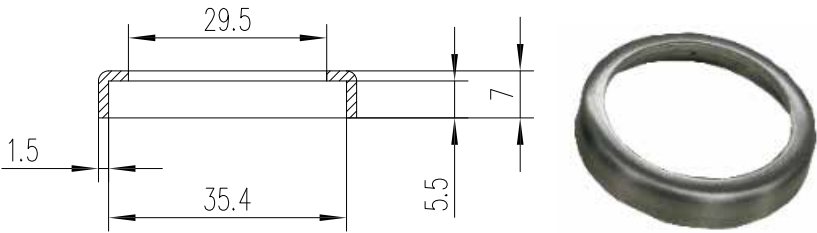
FEATURES:



GRADE 1

- Heavy duty electrified mortise locks.
- UL listed. UL10C 3 hours fire rated.
- UL file number: GYQS.R39687
- Mortise chassis tested to meet ANSI A156.13 grade 1 (1,000,000 cycles).
- ADA compliant (American with Disabilities Act), ANSI A117 (Accessible and Usable Buildings and Facilities).
- Latchbolt solenoid operating voltage 24 VDC(+/- 10%), holding current amperage 260mA@24VDC, Surge current amperage 1.9A for 350ms@24VDC, peak current 7A@24VDC, solenoid coil resistance 1.75 Ω, wire gauge minimum 18 gauge, 300' with 18 ga wire.
- Lever solenoid operating voltage 12/24VAC/DC (+/- 10%), amperage 24V@350mA, amperage 12V@700mA solenoid coil resistance 24V=69Ω, coil resistance 12V=18Ω
- Options: REX (Request to Exit) switch available, LBM (Latchbolt monitor) switch available.
- No special lock preparation is required, fits standard mortise lock series 1000.
- Ideal for “push/pull” applications.
- Only work with recommended power supply. Consult Durable Collection before specifying.
- Field reversible without lock disassembly.
- Locks include special high-strength springs and a positive stop to eliminate unsightly sagging levers.
- Trims utilize 11 mm high-strength alloy steel spindles for extra durability.
- Field reversible without lock disassembly. Designed for doors thickness 44 mm standard.
- Backset: 70 mm only. Center to center: 98 mm only.
- Armored front size: 203 x 32 x 1.5 mm. Case size: 113 x 153 x 24 mm.
- Deadbolt: 25 mm in stainless steel. Latchbolt 19 mm throw in stainless steel with anti-friction tongue.
- Strike: ANSI curved lip strike 32 x 124 mm with dust box standard. Door cutout Type 86.
- Tested with levers in hollow or solid stainless steel.
- Cylinders and keys: Mortise or interchangeable core (IC) cylinders. 5 or 6 pins mortise cylinders with 3 brass standard keys (computer key is available). 6 or 7 pins IC cylinders with 2 operate nickel plated standard keys + 1 nickel plated control key.
- Several cams are available. Construction keys and master key system are available. Several keyways are available.
- Standard finish: 630 (satin stainless steel). Other finishes are available upon request.

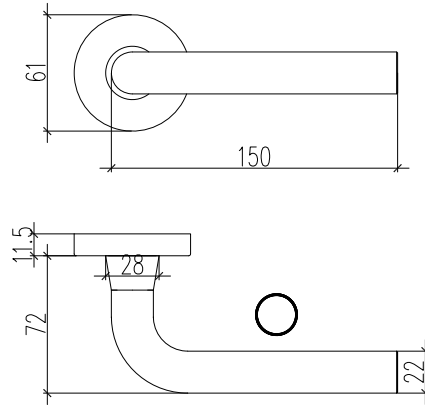
SFIC HOUSING – CICH – 6 or 6/7 PINS SFIC		SFIC CORE – SFIC – 6 & 7 PINS		MORTISE CYLINDER – DMC	
					
CYLINDER GUARD – DCG – AVAILABLE 6, 11 & 17 MM PROJECTION					
					
KEYS DMC	WAVE SPRING				KEYS SFIC
					
SECURITY CYLINDER GUARD – DCG8.5 or DCG13.5				CYLINDER GUARD – DCG8	
					
CAMS FOR SFIC HOUSING					
1	2	3	4	5	6
					

CAMs FOR DMC HOUSING			
1	2	4	MB
 #1	 #2	 #4	 #MB
ONE WAY CYLINDER – DMCTL (LEFT) or DMCTR (RIGHT)			
			
SQUARE CYLINDER GUARD – DCGSQ	SPACER SFIC 6 PINS – FOR CICH – FOR SFIC 7 PINS TO SFIC 6 PINS		CICH34.9 T, RIM CYLINDER WITH SFIC HOUSING
			
DCG			
			

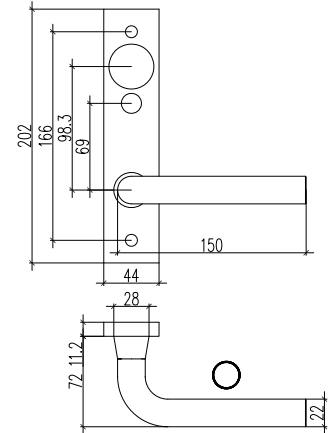
ELECTRIFIED LOCKS - EMLF SERIES

AVAILABLE MODELS	
EMLF01-ELR Passage F01	<ul style="list-style-type: none"> Latchbolt retracted by lever outside or by lever inside. Applied power electronically (EU) retracts latchbolt for push/pull operation. Outside and inside lever are always free ingress and egress.
EMLF07-ELR Storeroom F07	<ul style="list-style-type: none"> Latchbolt retracted by key outside or by lever inside. Applied power electronically (EU) retracts latchbolt for push/pull operation. Outside lever is always rigid (locked) and inside lever is always free egress.
EMLF30-ELR Institutional F30	<ul style="list-style-type: none"> Latchbolt retracted by key outside or inside (double cylinder operation). Applied power electronically (EU) retracts latchbolt for push/pull operation. Outside and inside levers are always rigid (locked).
EMLF07ELXF01-ELR Storeroom F07EL (outside) / passage F01 (inside)	<ul style="list-style-type: none"> Latchbolt retracted by key outside or by inside lever. Applied power electronically (EU) retracts latchbolt for push/pull operation. Outside lever's function is storeroom F07EL. Applied power prohibits outside lever from retracting latchbolt. Inside lever's function is passage F01, always free egress.
EMLF07EUXF01-ELR Storeroom F07EU (outside) / passage F01 (inside)	<ul style="list-style-type: none"> Latchbolt retracted by key outside or by inside lever. Applied power electronically (EU) retracts latchbolt for push/pull operation. Outside lever's function is storeroom F07EU. Applied power allows outside lever to retract latchbolt. Inside lever's function is passage F01, always free egress.
EMLF30XF07EL-ELR Institutional F30 (outside) / Storeroom F07EL (inside)	<ul style="list-style-type: none"> Latchbolt retracted by key outside or inside (double cylinder operation). Applied power electronically (EU) retracts latchbolt for push/pull operation. Outside lever's function is institutional F30. Always Clutching (does not activate outside lever at any time). Inside lever's function is storeroom F07EL, Applied power prohibits inside lever from retracting latchbolt.
EMLF30XF07EU-ELR Institutional F30 (outside) / Storeroom F07EU (inside)	<ul style="list-style-type: none"> Latchbolt retracted by key outside or inside (Double Cylinder operation). Applied power electronically (EU) retracts latchbolt for push/pull operation. Outside lever's function is institutional F30. Always Clutching (does not activate outside lever at any time). Inside lever's function is storeroom F07EU, Applied power allows inside lever to retract latchbolt.
EMLF30ELXF30EL-ELR Institutional F30EL (outside) / Institutional F07EL (inside)	<ul style="list-style-type: none"> Latchbolt retracted by key outside or inside (double cylinder operation). Applied power electronically (EU) retracts latchbolt for push/pull operation. Outside and inside levers' function is institutional F30EL. Applied power prohibits both levers from retracting latchbolt.
EMLF30EUXF30EU-ELR Institutional F07EU (outside) / Institutional F07EU (inside)	<ul style="list-style-type: none"> Latchbolt retracted by key outside or inside (double cylinder operation). Applied power electronically (EU) retracts latchbolt for push/pull operation. Outside and inside levers' function is institutional F30EU. Applied power allows both levers to retract latchbolt.
NOTE: EL-Fail Safe, lock unlocks when power is removed. EU-Fail Secure, lock unlocks when power is applied.	

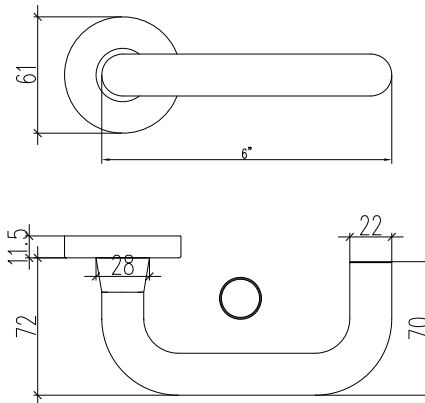
AH101 – HOLLOW LEVER HANDLE



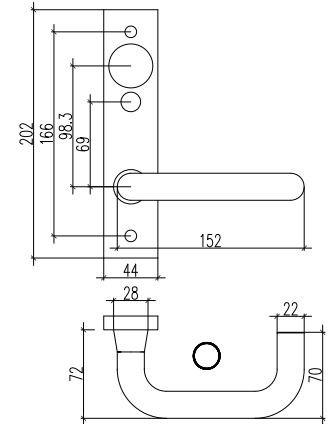
AH101T



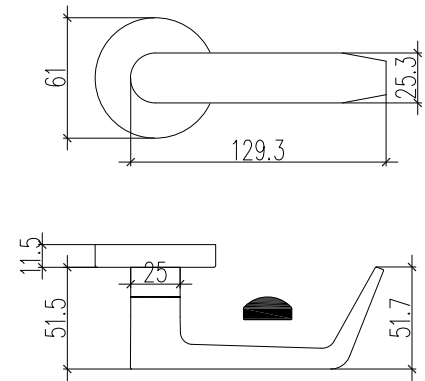
AH102 – HOLLOW LEVER HANDLE



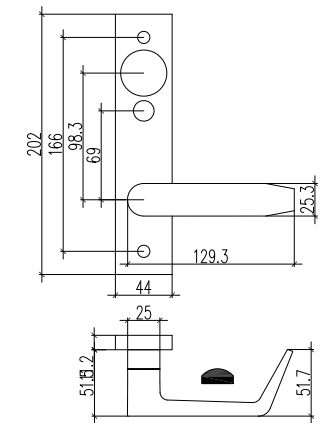
AH102T



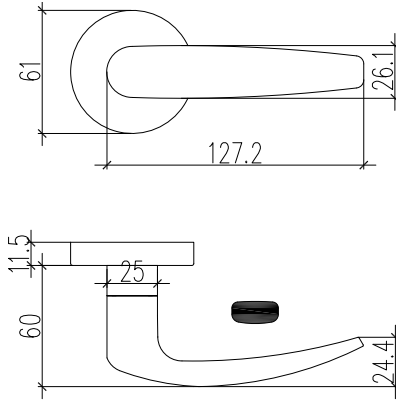
AH111 – SOLID LEVER HANDLE



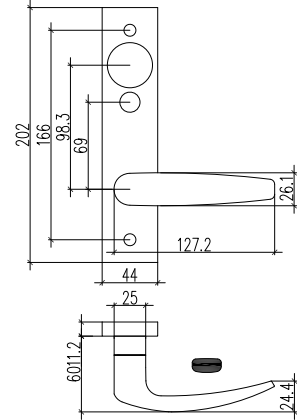
AH111T



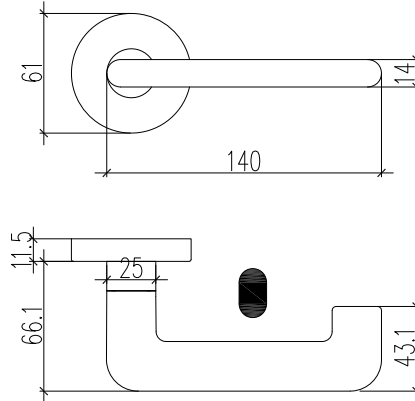
AH112 – SOLID LEVER HANDLE



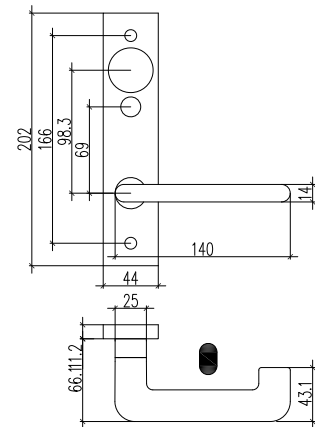
AH112T



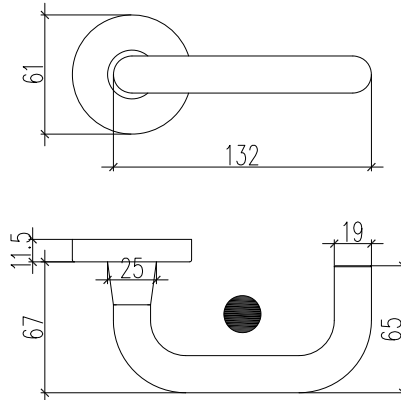
AH113 – SOLID LEVER HANDLE



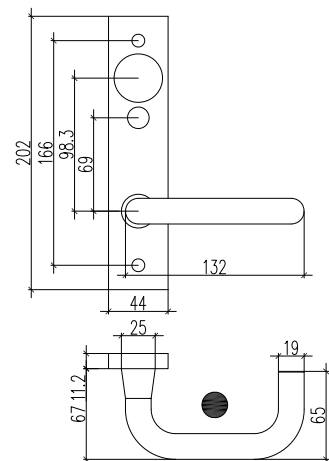
AH113T


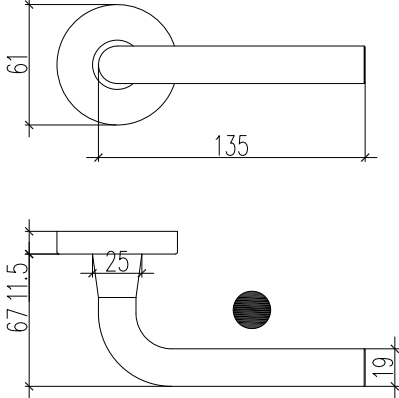
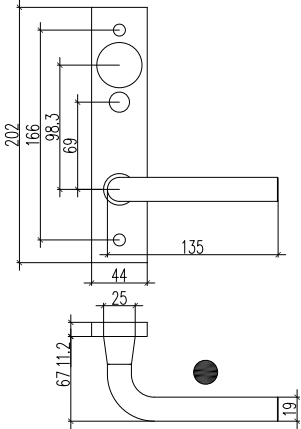

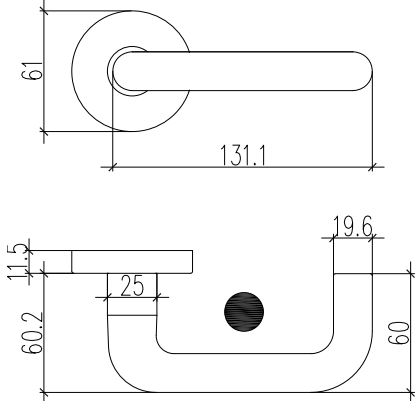
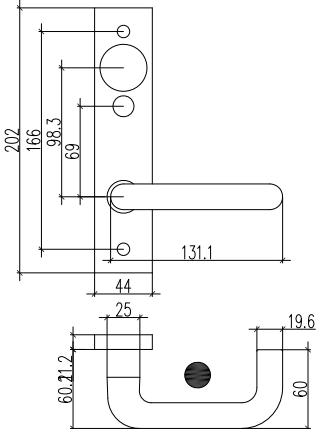

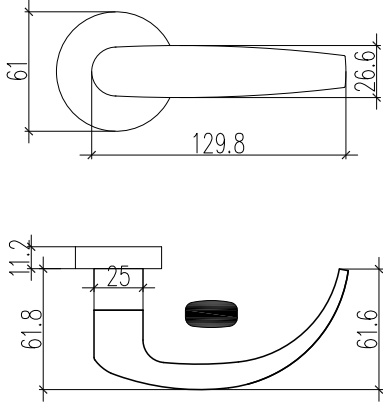
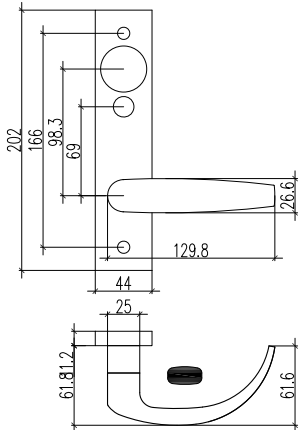


AH114 – SOLID LEVER HANDLE

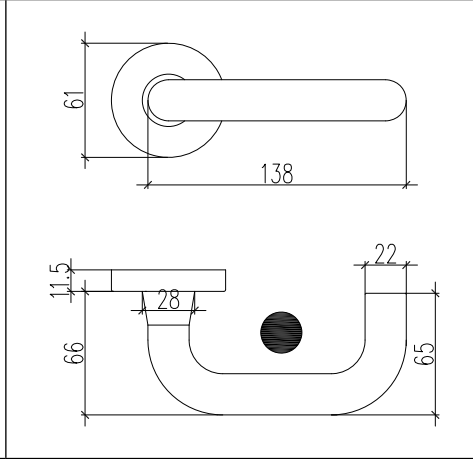


AH114T

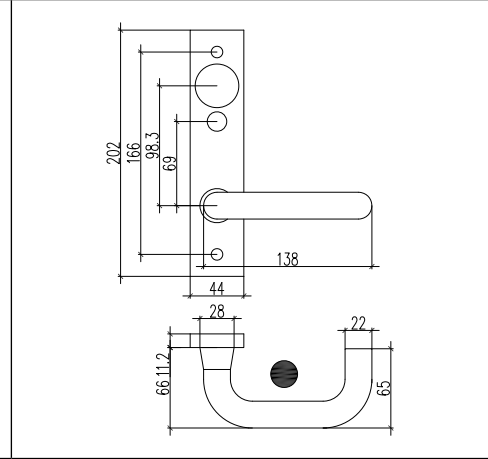


AH115 – SOLID LEVER HANDLE		AH115T
		
AH116 – SOLID LEVER HANDLE		AH116T
		
AH117 – SOLID LEVER HANDLE		AH117T
		

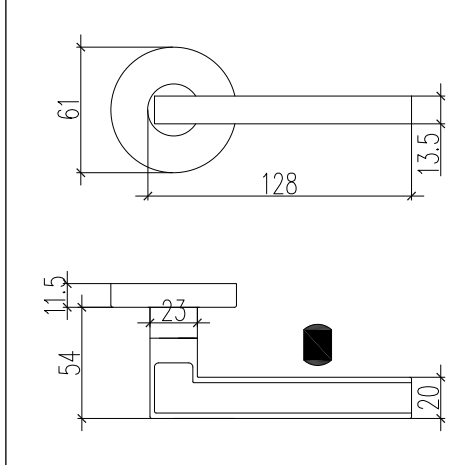
AH118 – SOLID LEVER HANDLE



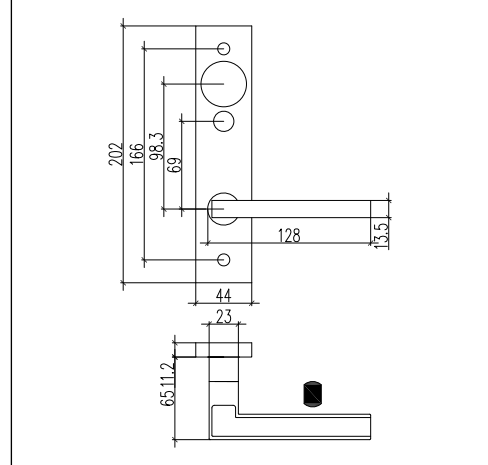
AH118T



AH119 – SOLID LEVER HANDLE



AH119T



AH126 – SOLID LEVER HANDLE

