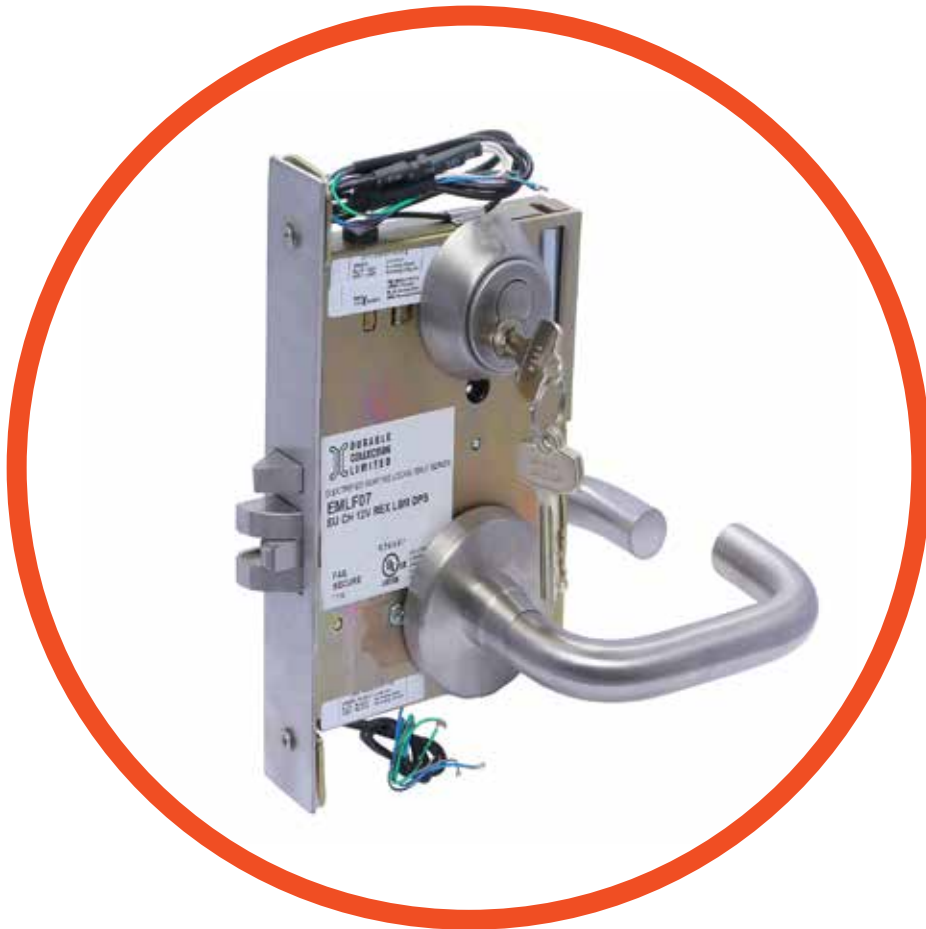


ANSI/UL ARCHITECTURAL HARDWARE



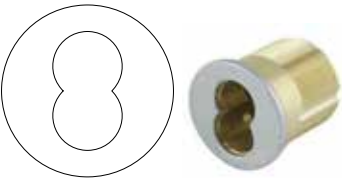


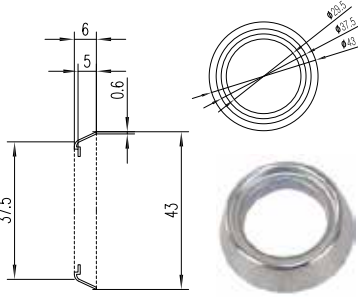
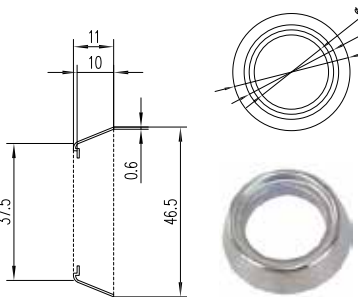
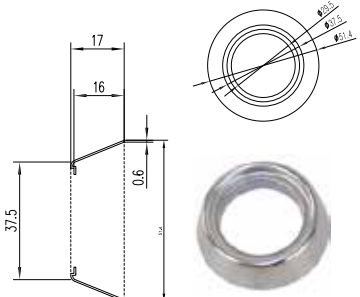
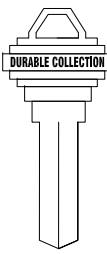
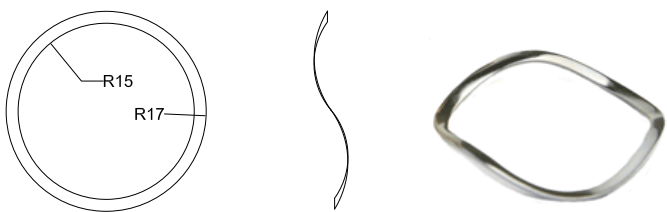
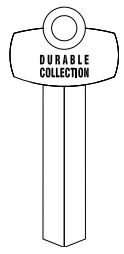
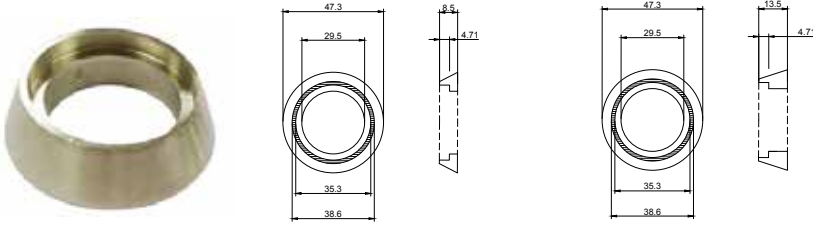
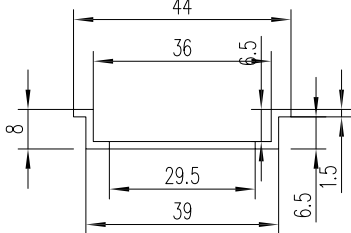
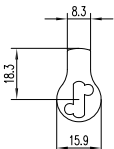
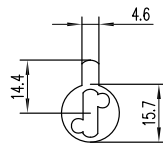
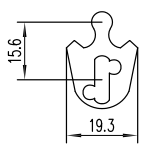
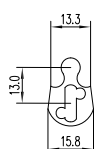
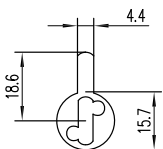
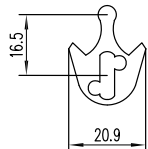
ELECTRIFIED LOCKS - EML SERIES

ITEM CODE: EML SERIES

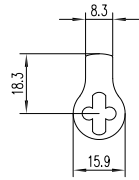
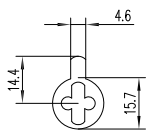
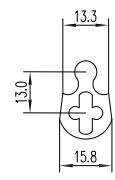
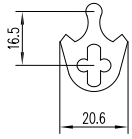
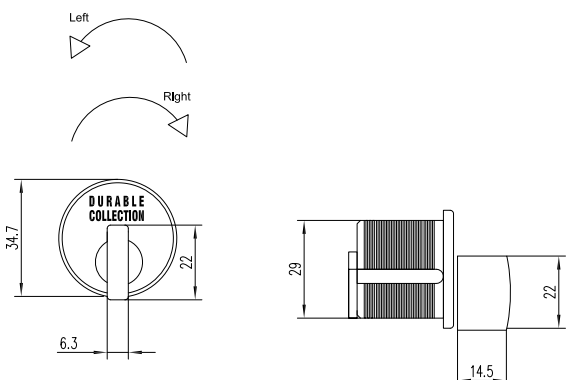
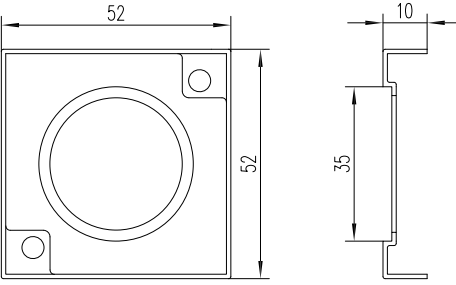
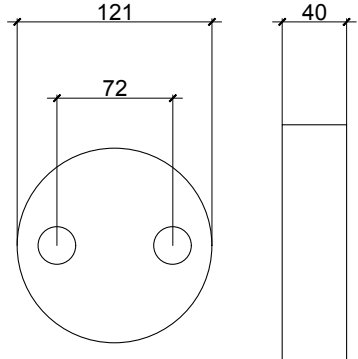
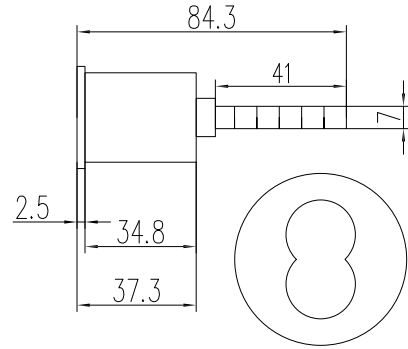
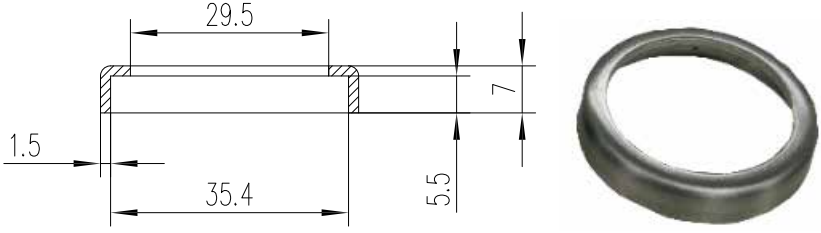
FEATURES:

- Heavy duty electrified mortise locks.
- UL listed. UL10C 3 hours fire rated.
- UL file number: GYQS.R39687
- Tested to meet ANSI A156.13 grade 1 (1,000,000 cycles).
- ADA compliant (American with Disabilities Act), ANSI A117 (Accessible and Usable Buildings and Facilities).
- Operating voltage 12 or 24VAC/DC (+ or – 10%)
- Amperage 12V=700mA, 24V=350mA
- Solenoid coil resistance 12V=18 Ω, 24V=69 Ω
- Power consumption 8 Watts
- Fail Safe (EL) or Fail Secure (EU), EL/EU is field reversible.
- Plug-in bridge rectifier that allows for an AC or DC power source supplied with all locks.
- Only work with recommended power supply. Consult Durable Collection before specifying.
- Available accessories:
 - Current Reduction Unit (CRU2), 10-30V input manages power to efficiently control a 12 or 24V solenoid. Improve solenoid life in “continuously on” applications such as Fail Safe or an unlock cycle.
 - Request to Exit (REX), available as a field installable kit or factory installed, operating inside trim cycles SPDT (single pole double throw) switch to signal use of door.
 - Request to Exit By Pass (REXBPS), request to exit (REX) switch will be bypassed when the lock is in unlocked state, preventing false REX signals.
 - Latchbolt Monitoring Switch (LBM), monitor the position of the latchbolt.
 - Door Positioning Switch (DPS), monitor the position of the door, door open/door close.
 - Solenoid Monitor (SLM), monitor the position of the solenoid.
 - Security Monitor (SCM), monitor solenoid & door position.
- Locks include special high-strength springs and a positive stop to eliminate unsightly sagging levers.
- Trims utilize 11 mm high-strength alloy steel spindles for extra durability.
- Field reversible without lock disassembly. Designed for doors thickness 44 mm standard.
- Backset: 70 mm only. Center to center: 98 mm only.
- Armored front size: 203 x 32 x 1.5 mm. Case size: 113 x 153 x 24 mm.
- Deadbolt: 25 mm in stainless steel. Latchbolt 19 mm throw in stainless steel with anti-friction tongue.
- Strike: ANSI curved lip strike 32 x 124 mm with dust box standard. Door cutout Type 86.
- Tested with levers in hollow or solid stainless steel.
- Cylinders and keys: Mortise or interchangeable core (IC) cylinders. 5 or 6 pins mortise cylinders with 3 brass standard keys (computer key is available). 6 or 7 pins IC cylinders with 2 operate nickel plated standard keys + 1 nickel plated control key.
- Several cams are available. Construction keys and master key system are available. Several keyways are available.
- Standard finish: 630 (satin stainless steel). Other finishes are available upon request.



SFIC HOUSING – CICH – 6 or 6/7 PINS SFIC		SFIC CORE – SFIC – 6 & 7 PINS		MORTISE CYLINDER – DMC	
					
CYLINDER GUARD – DCG – AVAILABLE 6, 11 & 17 MM PROJECTION					
					
KEYS DMC	WAVE SPRING				KEYS SFIC
					
SECURITY CYLINDER GUARD – DCG8.5 or DCG13.5				CYLINDER GUARD – DCG8	
					
CAMS FOR SFIC HOUSING					
1	2	3	4	5	6
					


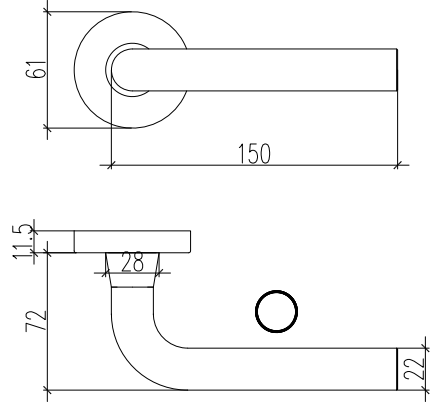
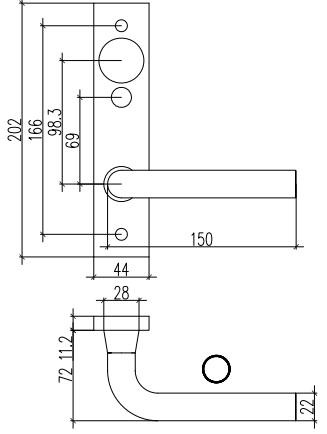

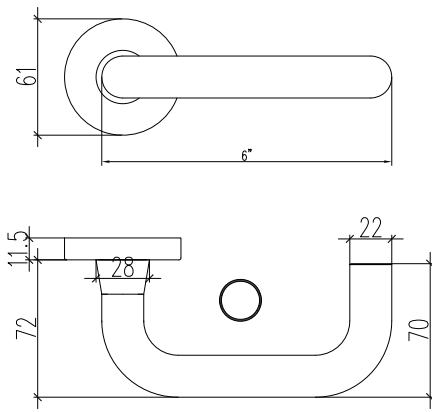
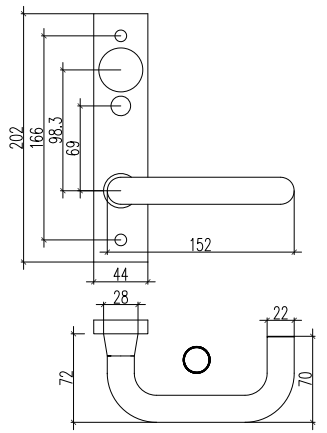

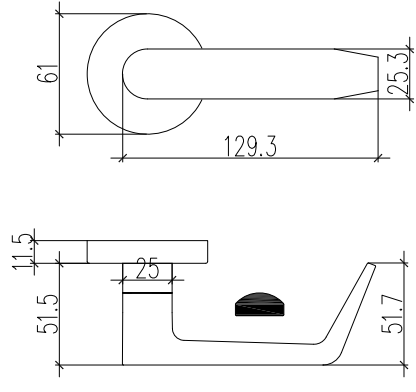
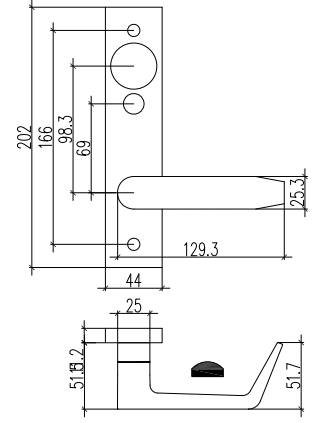
ELECTRIFIED LOCKS - EML SERIES

CAMs FOR DMC HOUSING			
1  #1	2  #2	4  #4	MB  #MB
ONE WAY CYLINDER – DMCTL (LEFT) or DMCTR (RIGHT)			
			
SQUARE CYLINDER GUARD – DCGSQ	SPACER SFIC 6 PINS – FOR CICH – FOR SFIC 7 PINS TO SFIC 6 PINS	CICH34.9 T, RIM CYLINDER WITH SFIC HOUSING	
			
DCG			
			

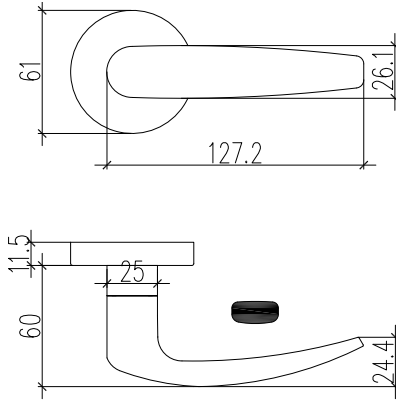
ELECTRIFIED LOCKS - EML SERIES

AVAILABLE MODELS	
EMLF05 Classroom Fail Safe or Fail Secure	Outside lever locked (EL) or unlocked (EU) electronically. Latchbolt retracted by lever on either side unless outside has been locked by key. Applied power allows outside lever to retract latchbolt. Inside lever is always free for immediate egress.
EMLF07 Storeroom Fail Safe or Fail Secure	Outside lever locked (EL) or unlocked (EU) electronically. Latchbolt retracted by key outside or lever inside. Applied power allows outside lever to retract latchbolt. Inside lever is always free for immediate egress.
EMLF30 Institutional Fail Safe or Fail Secure	Outside and inside levers simultaneously locked (EL) or unlocked (EU) electronically. Latchbolt retracted by key on either side. Applied power allows both levers to retract latchbolt.
EMLF20 Entry with deadbolt Fail Safe or Fail Secure	Outside lever locked (EL) or unlocked (EU) electronically. Latchbolt and deadbolt retracted by key outside or lever inside. Applied power allows outside lever to retract latchbolt and deadbolt. Inside lever is always free for immediate egress.
EMLF19 Privacy with deadbolt Fail Secure only	Outside lever unlocked (EU) electronically. Latchbolt and deadbolt retracted by key outside or lever inside. Applied power allows outside lever to retract latchbolt unless deadbolt is thrown. Inside lever is always free for immediate egress. Available in EU (Electronically unlocked) function only.

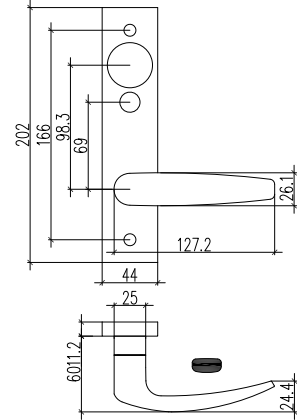
ELECTRIFIED LOCKS - EML SERIES

AH101 – HOLLOW LEVER HANDLE		AH101T
		
AH102 – HOLLOW LEVER HANDLE		AH102T
		
AH111 – SOLID LEVER HANDLE		AH111T
		

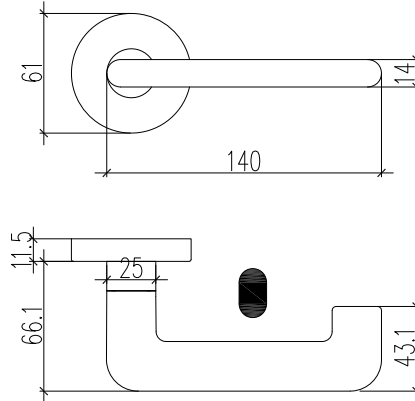
AH112 – SOLID LEVER HANDLE



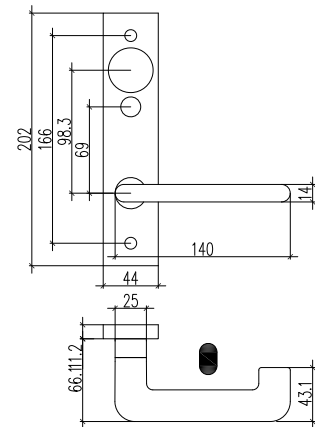
AH112T



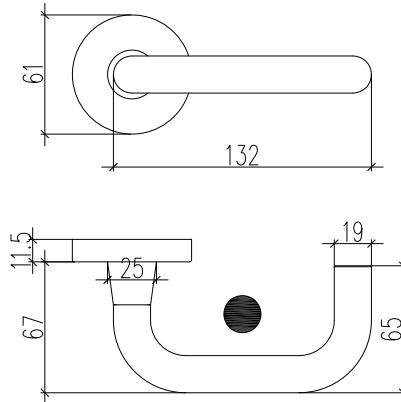
AH113 – SOLID LEVER HANDLE



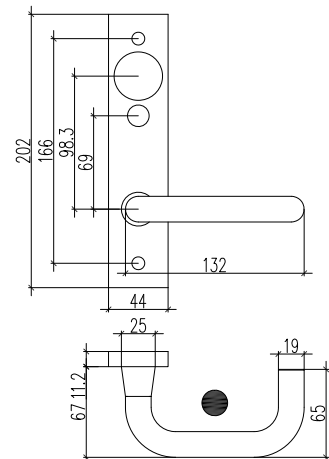
AH113T


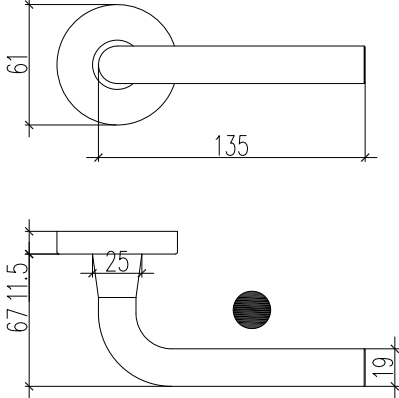
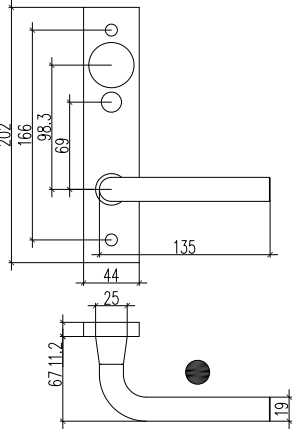

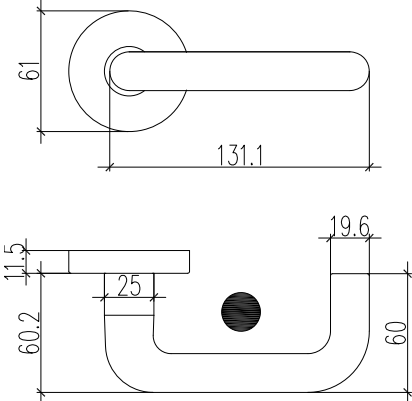
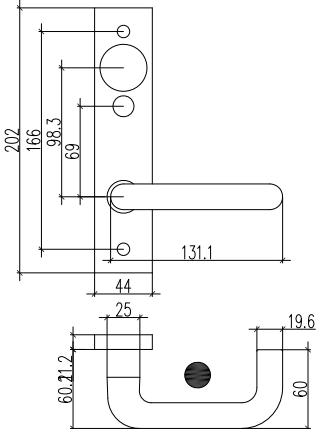

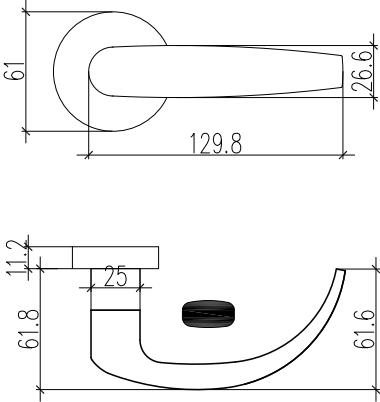
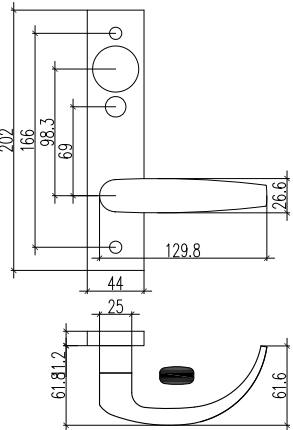


AH114 – SOLID LEVER HANDLE

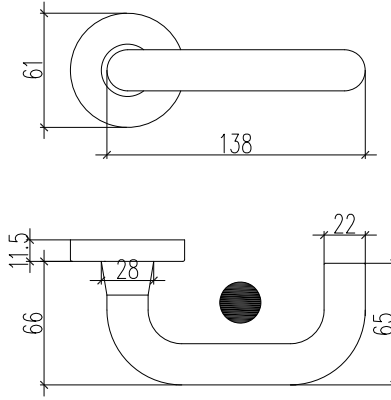


AH114T

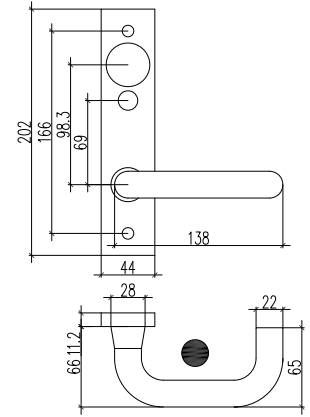


AH115 – SOLID LEVER HANDLE		AH115T
		
AH116 – SOLID LEVER HANDLE		AH116T
		
AH117 – SOLID LEVER HANDLE		AH117T
		

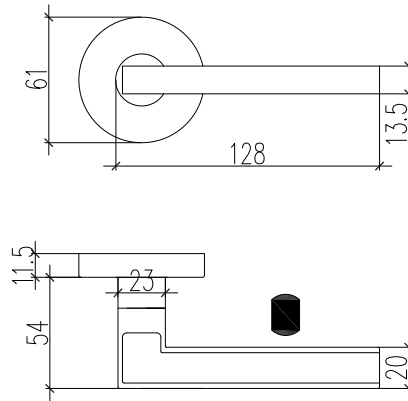
AH118 – SOLID LEVER HANDLE



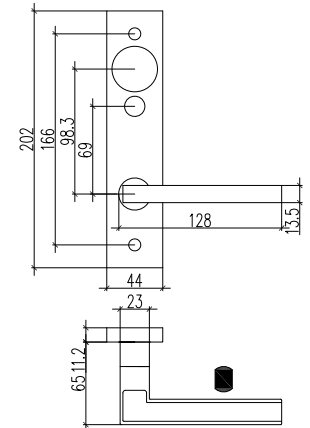
AH118T



AH119 – SOLID LEVER HANDLE



AH119T



AH126 – SOLID LEVER HANDLE

