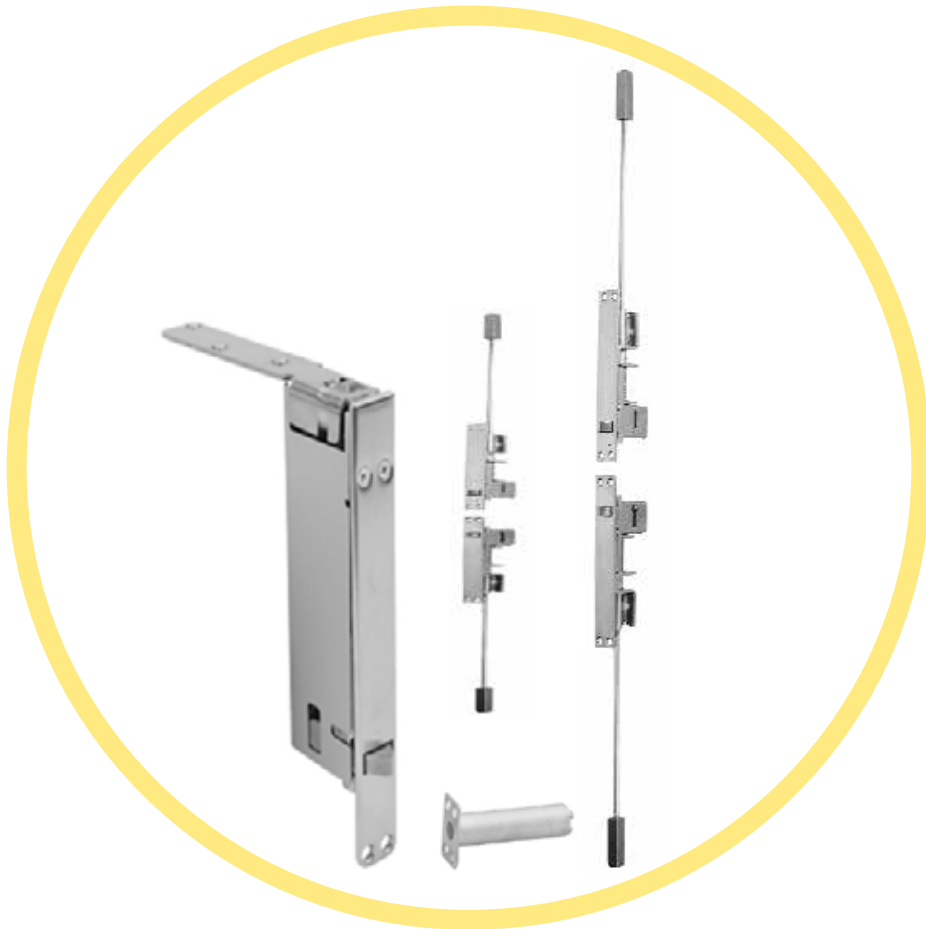


***ANSI/UL ARCHITECTURAL  
HARDWARE***

---

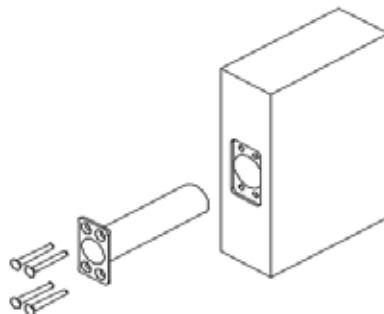
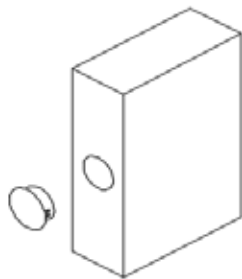


**AUTOMATIC FLUSH BOLT**

**ITEM CODE: DAFB-M & DAFB-M/DAUXFL  
AUTOMATIC EXTENSION FLUSH BOLT**



- Area of application: metal doors.
- Non-handed
- Type 25 to ANSI/BHMA A156.3
- Faceplate: 6-3/4" (171 mm) x 1" (25.4 mm).
- Bolt rod throw: 3/4 (19 mm) throw.
- Optional rod length is available.
- Fully automatic, bolt retracts when active door is opened, bolt extends when active door is closed.
- Installation options: 1) DAFB-M as set (top and bottom), 2) DAFB-M/DAUXFL (combination between DAFB-M top bolt only/DAUXFL auxiliary fire latch), this combination eliminates the bottom flush bolt and floor preparation.
- Conform to fit preparation for steel frames and doors (1-3/4" thickness) ANSI/BHMA A156.115.4
- UL listed and examined to UL 10C. UL file number: GXOW.R39669
- Suitable for fire rated up to and including 3 hours.
- Supplied with fixing screws.
- Dust proof socket to be ordered separately.
- Standard finish: US32D (Satin Stainless Steel)
- Other finishes are available upon request.



**ITEM CODE: DAFB-W  
AUTOMATIC FLUSH BOLT**



- Area of application: wood doors.
- Non-handed
- Type 25 to ANSI/BHMA A156.3
- Faceplate: 8-1/2" (215.9 mm) x 1" (25.4 mm).
- Bolt rod throw: 3/4 (19 mm) throw.
- Fully automatic, bolt retracts when active door is opened, bolt extends when active door is closed.
- Installation options: 1) DAFB-W as set (top and bottom), 2) DAFB-W+DAUXFL (combination between DAFB-W top bolt only + DAUXFL auxiliary fire latch), this combination eliminates the bottom flush bolt and floor preparation.
- UL listed and examined to UL 10C. UL file number: GXOW.R39669
- Suitable for fire rated up to and including 1.5 hours.
- Supplied with fixing screws.
- Dust proof socket to be ordered separately.
- Standard finish: US32D (Satin Stainless Steel)
- Other finishes are available upon request.

